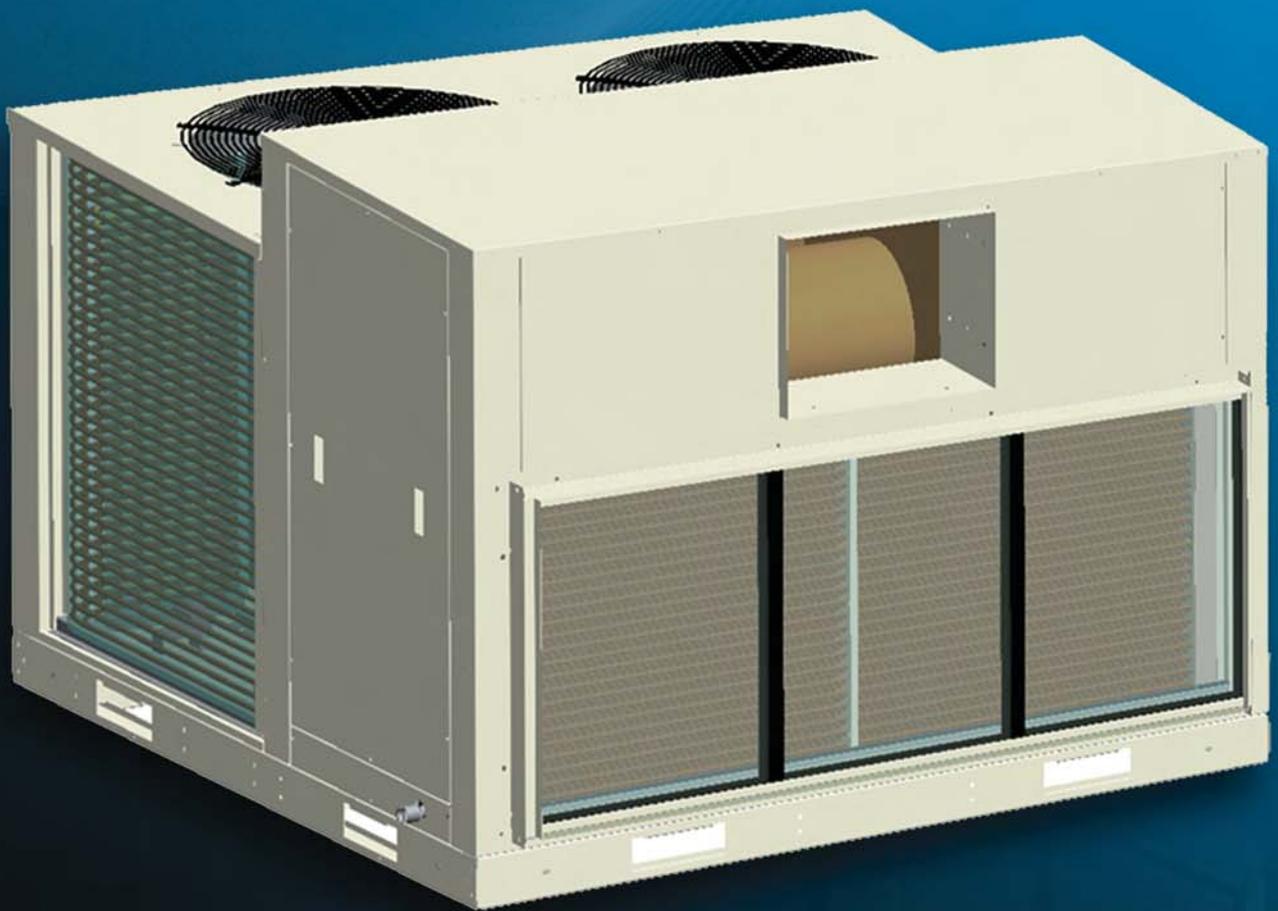


ROOF TOP PACKAGE UNITS

5-25 TONS

ESMA HIEER SERIES.



INDEX

CONTENTS	Page
1. INTRODUCTION	04
2. SALIENT FEATURES	05
3. MODEL DECODING	06
4. OPTIONAL FEATURES	07
5. G. A. DRAWINGS	08
6. SPACE & LOCATION GUIDE	12
7. UNIT SPECIFICATIONS	
ENGINEERING SPECIFICATIONS	13
ELECTRICAL DATA	14
COOLING PERFORMANCE DATAS	15
FAN PERFORMANCE DATAS	24
WIRING DIAGRAMS	27

INTRODUCTION

Roof top package units have been developed & produced to provide not only the ultimate indoor comfort, but also to guarantee long & trouble free operations.

Herein lies the reason for the Choice of only the highest quality components and design strategies to meet the most important objectives such as,

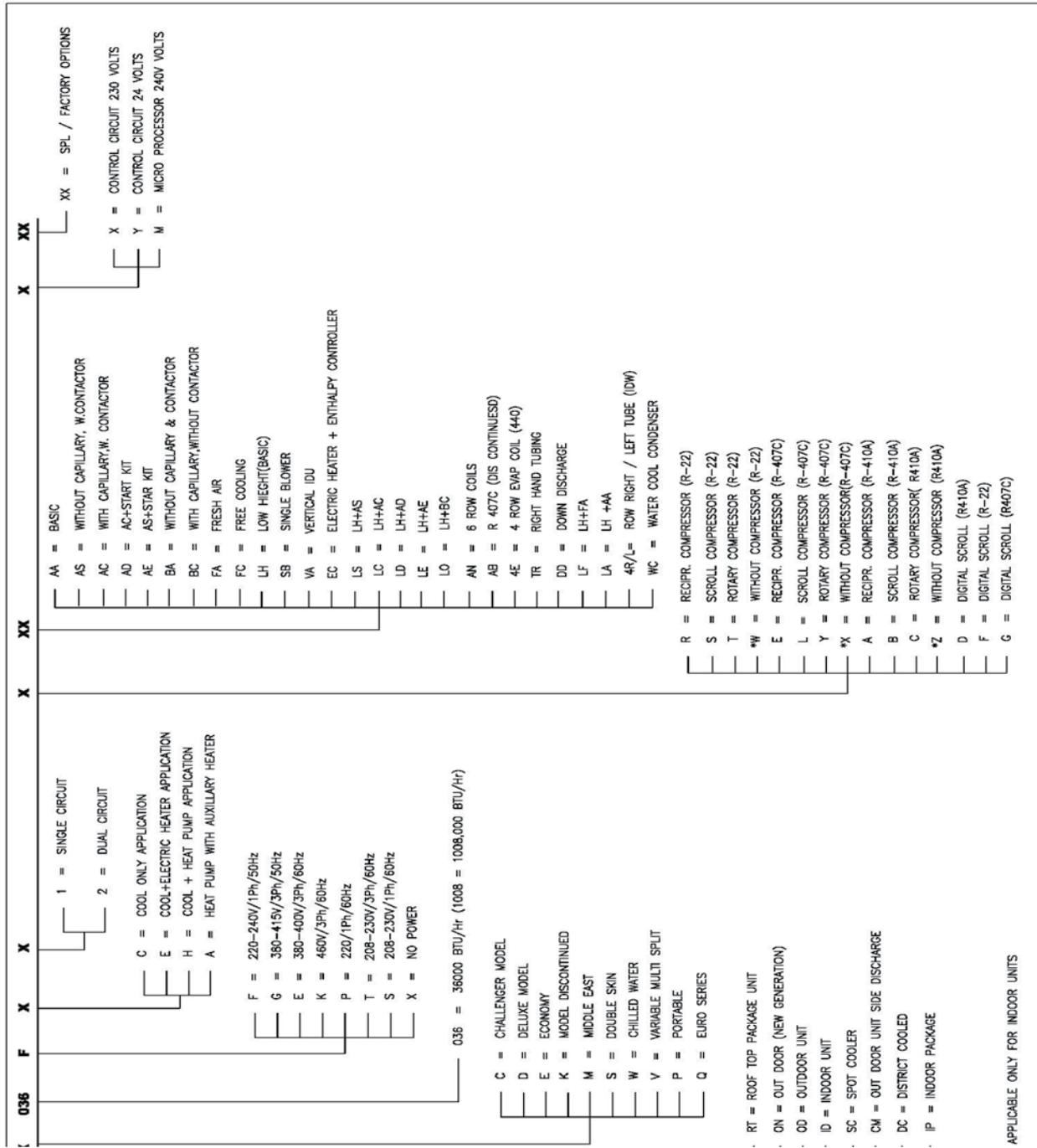
- Efficiency
- Reliability
- Flexibility
- Easy Install ability
- Serviceability
- Affordability



SALIENT FEATURES

- The units are horizontal air flow type and are suitable for mounting on the roof or on the ground. All units are factory assembled, piped, internally wired and fully charged with R-407C. These units are tested in accordance with ARI standards.
- The units are available in the following voltages 380-415 V/3PH/50 HZ
- All components are mounted in a weather resistant steel cabinet. The cabinet & access panels are powder coated for lasting protection and durability. Indoor air section compartments are completely insulated with 1/2" Fire retardant fiberglass insulation & knockouts provided for utility and control connections.
- Compressors are fully hermetic type designed for high efficiency provided with standard control and safety devices like HP & LP controls and crank case heater for scroll and reciprocating compressors.
- Evaporator and condenser coils are made of seamless Inner grooved copper tubes mechanically bonded to aluminum fins, leak tested and pressure tested to 550 psig.
- 5TR capacity units, Evaporator blowers are direct drive centrifugal type, forward curve blade design, sized to meet airflow and static.
- 6TR and above capacity units, Evaporator blowers are Belt drive centrifugal type, forward curve blade design, sized to meet system air flow and static.
- Condenser fans are propeller type, direct drive, draw through vertical discharge with fan guard mounted to the panel.
- Thermostatic expansion valve / metering device provides precision control for maximized cooling.
- The units are completely factory wired with single point power input.
- Easy accessible control box, compressor, controls and blower compartment.
- All the units are provided with compressor lockout either by locking relays or by high pressure control trip with manual reset switch.
- All the units are provided with 2.5 -3 min time delay for compressor start
- 50 mm Aluminum filter as standard

MODEL DECODING



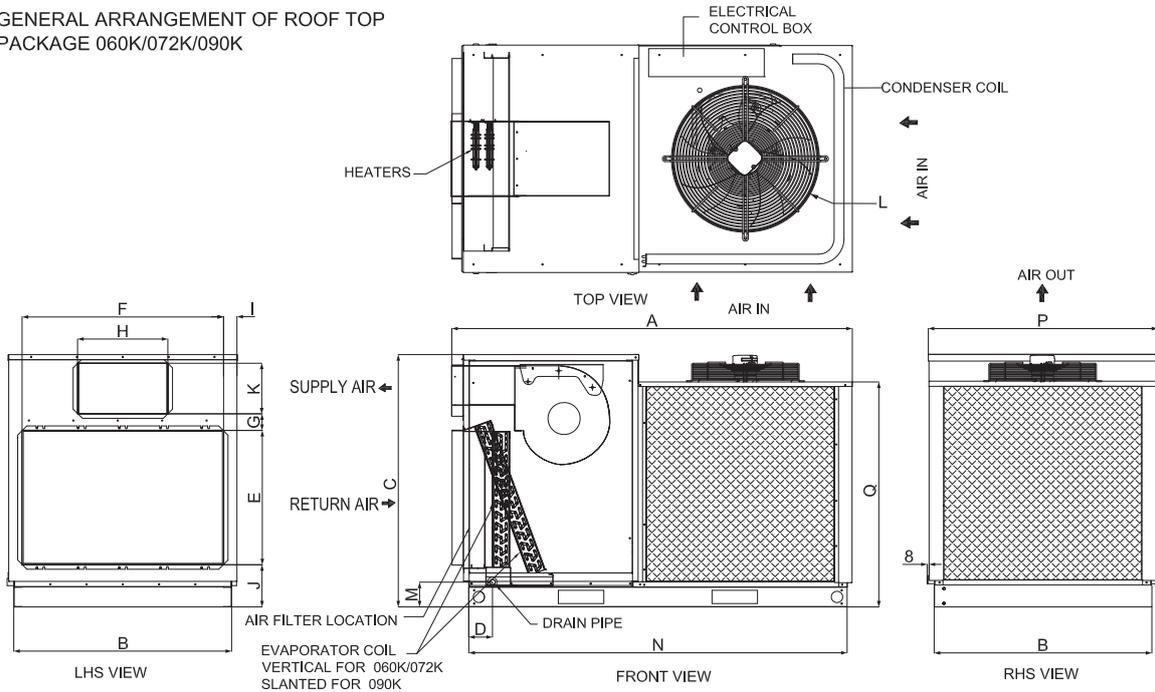
APPLICABLE ONLY FOR INDOOR UNITS

OPTIONAL / STANDARD FEATURES MODEL WISE LIST

PART	MODEL	3RTH060	3RTH072	3RTH090	3RTH120	3RTH150	3RTH180	3RTH216	3RTH240	3RTH300
Package Unit Optional Accessories:										
10.0 Kw Electric Heater - 1 Stage (Available for YE6PU060 to YE6PU060)		Option	Option	Option	Option	Option	Option	Option	Option	Option
15.0 Kw Electric Heater - 1 Stage (Available for YE6PU072 to YE6PU090)		...	Option	Option	Option	Option	Option	Option	Option	Option
20.0 Kw Electric Heater - 2 Stage (Available for YE6PU120 to YE6PU150)		Option	Option	Option	Option	Option	Option
25.0 Kw Electric Heater - 2 Stage (Available for YE6PU180 to YE6PU216)		Option	Option	Option	Option
30.0 Kw Electric Heater - 2 Stage (Available for YE6PU240 to YE6PU300)		Option	Option
Over Load External Protection Blower Motor		Option	Option	Option	Option	Option	Option	Option	STD	STD
Anti Ice Thermostat		Option	Option	Option	Option	Option	Option	Option	Option	Option
IP55, Class F Blower Motor (Available for YE6PU072 to YE6PU216, Standard for YE6PU240 to YE6PU300)		Option	Option	Option	Option	Option	STD	STD	STD	STD
Copper Tube Copper Fins Evaporater Coil		Option	Option	Option	Option	Option	Option	Option	Option	Option
Hydrophilic Fins Evaporator Coil		Option	Option	Option	Option	Option	Option	Option	Option	Option
Stainless Steel Drain Pan		Option	Option	Option	Option	Option	Option	Option	Option	Option
Filter Differential Pressure Switch		Option	Option	Option	Option	Option	Option	Option	Option	Option
Over Load External Protecion Compressor		Option	Option	Option	Option	Option	Option	Option	STD	STD
Over Load External Protecion Condenser Fan		Option	Option	Option	Option	Option	Option	Option	Option	Option
Compressor Alternating Switch		Option	Option	Option	Option	Option	Option	Option	Option	Option
Hour Run Meter		Option	Option	Option	Option	Option	Option	Option	Option	Option
Fan Cycling Switch (On / Off)		Option	Option	Option	Option	Option	Option	Option	Option	Option
Low Ambient Kit		Option	Option	Option	Option	Option	Option	Option	Option	Option
Power Controller , Hi/Lo Voltage, Phase Loss/Reversal (Adjustable)		STD	STD	STD	STD	STD	STD	STD	STD	STD
Circuit Breaker Compressor(MCB)		Option	Option	Option	Option	Option	Option	Option	Option	Option
Circuit Breaker Cond. Fan Motor(MCB)		Option	Option	Option	Option	Option	Option	Option	Option	Option
Circuit Breaker Blower Motor(MCB)		Option	Option	Option	Option	Option	Option	Option	Option	Option
IP55, Class F Cond. Motor (Available for YE6PU072 to YE6PU216, Standard for YE6PU240 to YE6PU300)		Option	Option	Option	Option	Option	Option	STD	STD	STD
Heresite Coating For Condenser Coil		Option	Option	Option	Option	Option	Option	Option	Option	Option
Copper Tube Copper Fins Condenser Coil		Option	Option	Option	Option	Option	Option	Option	Option	Option
Pump Down System		Option	Option	Option	Option	Option	Option	Option	Option	Option
Dual Adjustable Pressure Switch		Option	Option	Option	Option	Option	Option	Option	Option	Option
Hot Gas Bypass (With Solenoid)		Option	Option	Option	Option	Option	Option	Option	Option	Option
Pressure Guage (Suction / Discharge)		Option	Option	Option	Option	Option	Option	Option	Option	Option
Roto Lock Compressor		Option	Option	Option	Option	Option	Option	Option	Option	Option

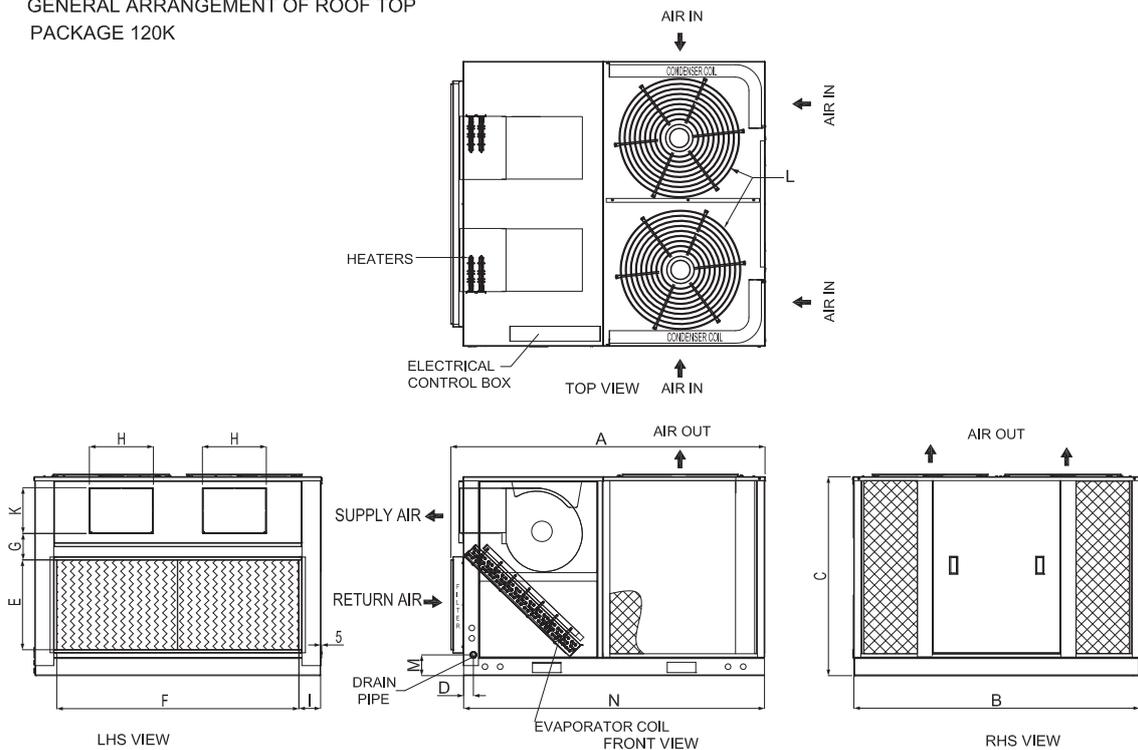
G. A. DRAWINGS : 5TR. - 10TR. UNITS

GENERAL ARRANGEMENT OF ROOF TOP PACKAGE 060K/072K/090K



MODEL	A	B	C	D	E	F	G	H	I	J	K	L	M	N	P	Q
3RTH060	1790	978	1049	107	562	900	120	345	62	136	185	1 FAN-26" DIA	94	1690	1024	855
3RTH072	1790	978	1161	114	606	900	88	403	62	186	230	1 FAN-26" DIA	112	1690	1024	1013
3RTH090																

GENERAL ARRANGEMENT OF ROOF TOP PACKAGE 120K

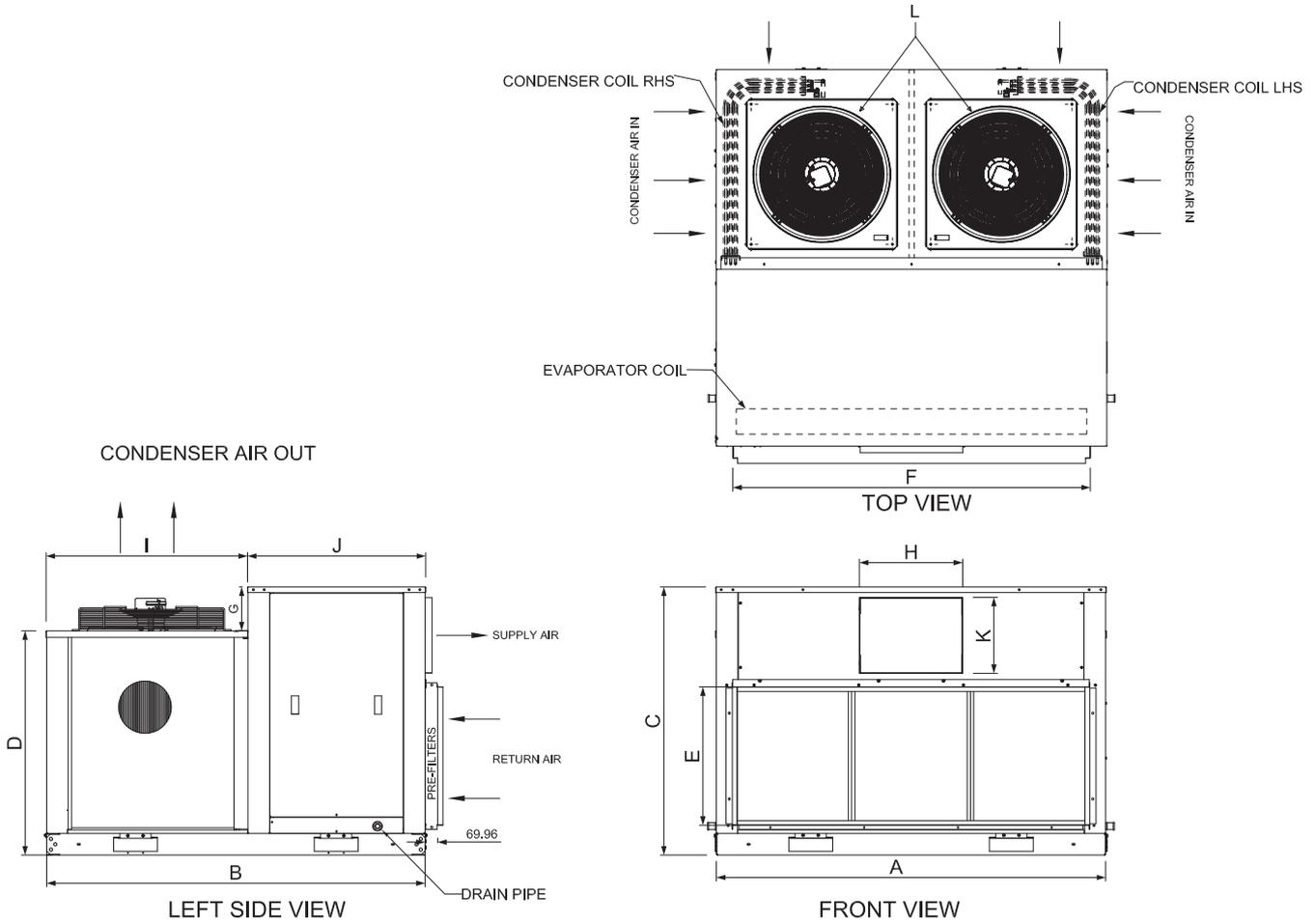


MODEL	A	B	C	D	E	F	G	H	I	J	K	L	M	N
3RTH120	1660	1504	1054	52	477	1276	74	335	114	121	243	2 FAN-24" DIA	110	1585

LAYOUT SUBJECT TO CHANGE WITHOUT NOTICE.

G. A. DRAWINGS : 12.5TR. - 15TR. UNITS

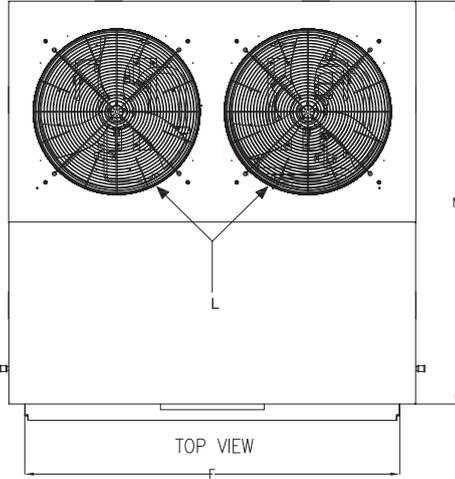
3RTH150/180 GENERAL ARRANGEMENT DRAWING



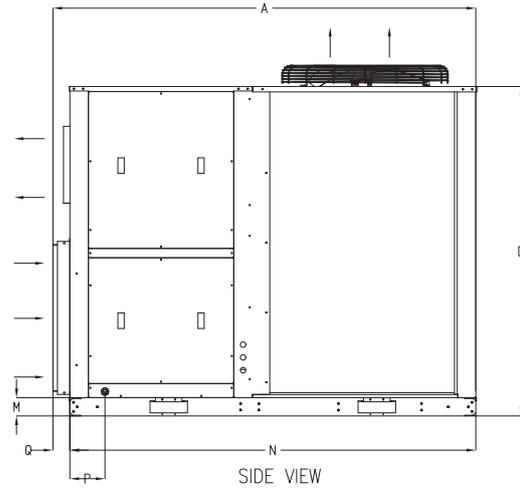
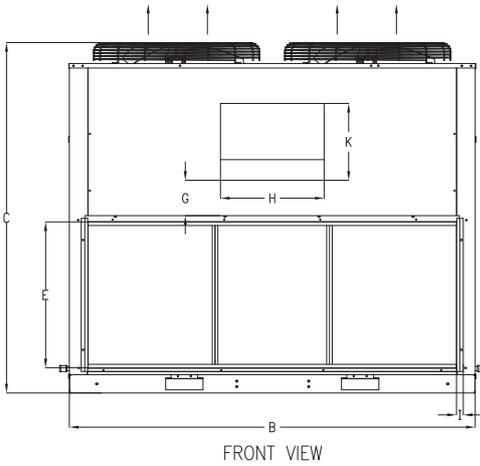
MODEL	A	B	C	D	E	F	G	H	I	J	K	L
3RTH150	1800	1750	1249	1044	644	1609	205	475	934	824	351	2 FAN-26" DIA
3RTH180												

All Dimensions are in mm
Layout subject to change without notice

G. A. DRAWINGS : 18TR. - 20TR. UNITS



GA DRAWING FOR 3RTH216/240



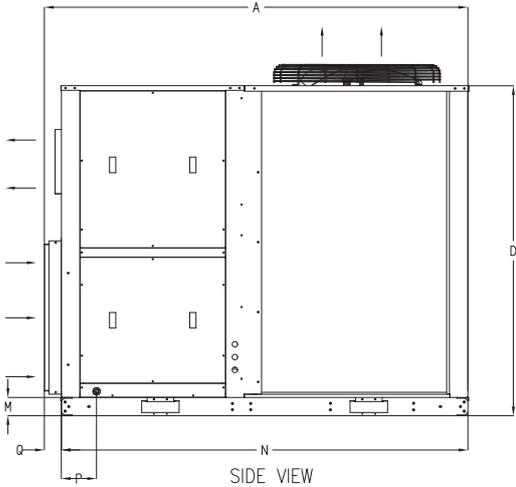
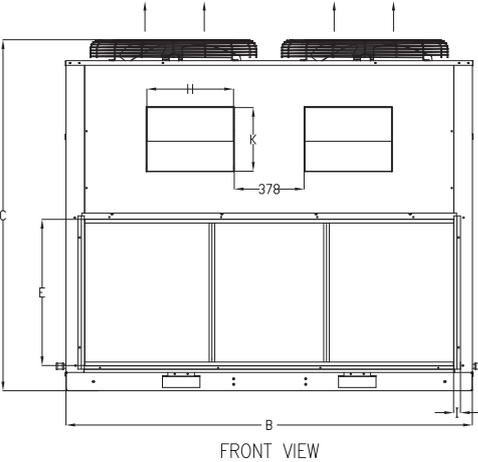
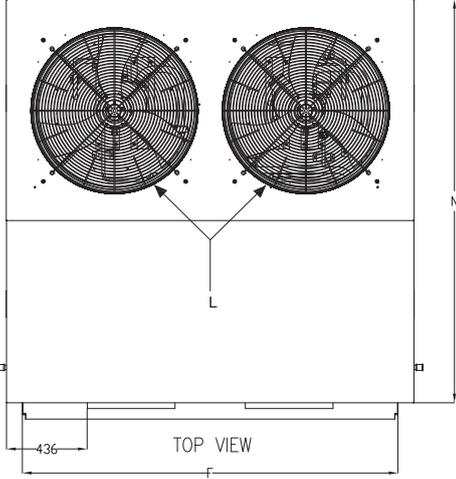
MODEL	A	B	C	D	E	F	G	H	I	J	K	L	M	N	P	Q
3RTH216	2292	2200	1914	1800	1080	2033	193	568	62	186	422	2FAN-30" DIA	100	2200	190	92
3RTH240												2FAN-32" DIA				

ALL DIMENSIONS ARE IN MM.

*LAYOUT SUBJECTED TO CHANGE WITHOUT NOTICE.

G. A. DRAWINGS : 25TR. UNITS

GA DRAWING FOR 3RTH300



MODEL	A	B	C	D	E	F	G	H	I	J	K	L	M	N	P	Q
3RTH300	2292	2200	1914	1800	1080	2033	193	568	62	186	422	2FAN-32" DIA	100	2200	190	92

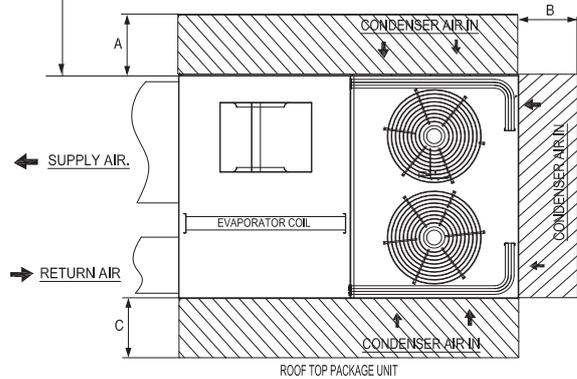
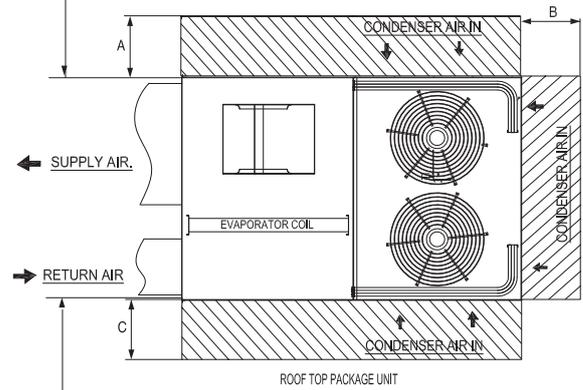
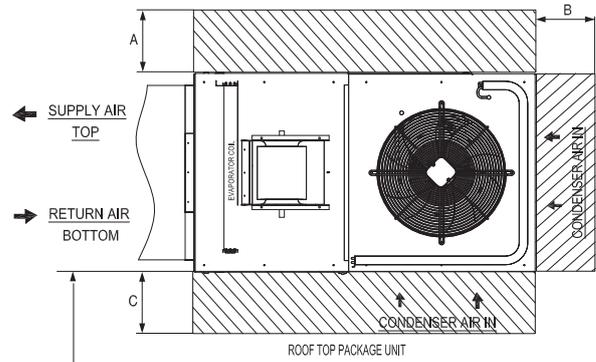
SPACE & LOCATION GUIDE

SPACE & LOCATION REQUIREMENT GUIDE				
MODEL	A (Inch)	B (Inch)	C (Inch)	D (Inch)
	Service side	Cond. side	Cond. Side	between units
3RTH060	39	42	42	54
3RTH072	39	42	42	54
3RTH090	39	42	42	54
3RTH120	40	45	45	60
3RTH150	45	45	45	60
3RTH180	45	45	45	60
3RTH216	55	48	48	66
3RTH240	55	48	48	66
3RTH300	55	48	48	66

For location of multiple units ,clearance between units should be more than single unit space provided.

VIBRATION ISOLATOR (Rubber pads)

Vibration Isolator to be fitted at all four corners under the units for all models



UNIT SPECIFICATIONS

ENGINEERING SPECIFICATIONS: 5TR - 25TR UNITS

Engineering Specifications High EER Roof Top Package units												
Description		Unit of measurement	UNIT MODEL									
			3RTH060GC1	3RTH072GC1	3RTH090GC1	3RTH120GC2	3RTH150GC2	3RTH180GC2	3RTH216GC2	3RTH240GC2	3RTH300GC2	
Nominal Cooling Capacity @ 35°C (T1)		Btu /Hr	60,000	69,872	96,086	121,393	143,481	174,898	221,007	245,700	279,543	
Power Consumption @ T1		Watts	5,655	6,492	9,197	11,415	13,407	17,038	21,382	23,628	27,863	
EER @ T1			11	11	10	11	11	10	10	10	10	
Cooling Capacity @ 46° (T3) *		Btu /Hr	55,786	64,608	89,250	112,282	131,361	162,024	204,383	226,640	255,736	
Power consumption @ 46° (T3) *		Watts	6,880	7,968	11,008	13,848	16,201	20,523	204,383	28,708	34,098	
Power consumption /Ton @ 46° (T3)		Kwatts/tr.	1.48	1.48	1.48	1.48	1.48	1.52	1.52	1.52	1.60	
Air Flow (Evaporator)		CFM	1,875	2,250	2,812	3,750	5,500	5,625	6,750	7,500	9,375	
External static pressure		Inch H2O g	0.4"	0.4"	0.4"	0.4"	0.4"	0.4"	0.4"	0.4"	0.6"	
Refrigerant Type			R407C									
Evaporator	Blower	Type	Centrifugal									
		Drive	Direct	Belt Driven								
		Dia x width	10" x 10"	10" x 10"	12" x 12"	10" x 10" twin	15" x 15"	15" x 15"	18" x 18"	18" x 18"	15" x 15" twin	
		Qty	1	1	1	1	1	1	1	1	1	
	Blower Motor	Power Supply	V/Ph/Hz	380-415V/3Ph/50 Hz								
		HP		1.35	1.35	1.35	2.60	2.60	5.00	5.00	5.00	7.50
	Air filter Type		Aluminum Filter									
	Evaporator Coil	Face Area	Sq.ft	5.60	7.02	7.02	10.70	11.36	11.36	15.31	15.31	15.31
		Tube Dia / no of row/ FPI		3/8" / 3 / 16	3/8" / 3 / 16	3/8" / 4 / 16	3/8" / 4 / 16	3/8" / 4 / 16	3/8" / 4 / 16	3/8" / 4 / 16	3/8" / 4 / 16	3/8" / 4 / 16
		No. of Circuits		10	10	13	15	20	18	32	32	32
		Material Tubes - Fins		CU-AL								
	Expansion valve	Type		TEX VALVE								
		Qty		1	1	1	2	2	2			
	Supply air Opening size	W X H	mm	345 x 185	345 x 185	397 x 340	330 x 290	475 x 356	475 x 356	558 x 406.4	558 x 406.4	(475 x 356) twin
	Return air Opening size	W X H	mm	900 x 562	900 x 606	900 x 606	1276 x 477	1609 x 644	1609 x 644	12033 x 1080	12033 x 1080	12033 x 1080
Condenser	Compressor	Power Supply	V/Ph/Hz	380-415V/3Ph/50 Hz								
		Type		SCROLL								
		Quantity		1	1	1	2	2	2	2	2	2
		Protection		Internal								
		Crank case heater 220V/1Ph	Qty x Watts		1x70	1x70	1x70	2x70	2x70	2x90	2x90	2x90
		Min / Max Volts		342/456	342/456	342/456	342/456	342/456	342/456	342/456	342/456	342/456
		Locked Rotor Amperes	Amps	74	101	111	74	101	111	118	118	174
	Running Rotor Amperes		9.4	11.0	13.8	9.4	11.0	13.8	16.0	17.7	26.5	
	Condenser Fan	Type		Propeller / Direct driven								
		Qty		1	1	1	2	2	2	2	2	2
Dia of Fan		Inch	26"	26"	26"	24"	26"	26"	30"	32"	32"	
Condenser Coil	Type of coil		Corrugated al fin with Inner grooved copper coil									
	Face Area	Sq.ft	15.40	17.85	17.85	10.08 x 2	14.36 x 2	14.36 x 2	26.2 x 2	26.2 x 2	26.2 x 2	
	Tube Dia / no of row/ FPI		3/8" / 3 / 14	3/8" / 4 / 14	3/8" / 4 / 16	3/8" / 4 / 15	3/8" / 3 / 16	3/8" / 4 / 14	3/8" / 3 / 15	3/8" / 4 / 15	3/8" / 4 / 16	
Condensar Fan Motor	Power Supply	V/Ph/Hz	220-240/1/50			380-415/3/50	220-240/1/50	380-415/3/50				
	HP		1/2	1/2	1 3/4	1/2	1 3/4	1 3/4	1 1/2	1 1/2	1 1/2	
	Qty	nos	1	1	1	2	2	2	2	2	2	
Dimensions	Length	mm	1790	1790	1790	1660	1750	1750	2292	2292	2292	
	Width		978	978	978	1504	1800	1800	2200	2200	2200	
	Height		1049	1161	1161	1054	1249	1249	1914	1914	1914	
Note:	As a result of continous reaserch& development, the above specifications are subject to change with out notice, need to contact our sales team time to time											
	*Cooling Capacity & Power Consumption / Ton is rated as per ESMA T3 condition											

UNIT SPECIFICATIONS

ELECTRICAL DATA FOR: 5TR - 25TR UNITS

380-415V-3PH-50HZ ("G" VOLTAGE) POWER SUPPLY

MODEL	V-Ph-Hz	OPERATING VOLTAGE		COMPRESSOR			CONDENSER MOTOR			BLOWER MOTOR		HEATER (OPTION)		MCA(COOL)	MCA(HEAT)	MOCP	
		MIN	MAX	TYPE	RLA	LRA	QTY	HP	FLA	QTY	HP	FLA	KW	AMPS	AMPS	AMPS	AMPS
3RTH060G	380-415-3-50	342	456	SCR	9.4	74	1	1/2	3.0	1	1 1/3	2.7	10	15.2	18	22	25
3RTH072G	380-415-3-50	342	456	SCR	11.0	101	1	1/2	3.0	1	1 1/3	2.7	15	22.8	20	32	35
3RTH090G	380-415-3-50	342	456	SCR	13.8	111	1	1 3/4	3.0	1	1 1/3	2.7	15	22.8	23	32	35
3RTH120G	380-415-3-50	342	456	SCR	9.4	74	2	1/4	2.0	2	2 2/3	4.8	20	30.4	30	43	50
3RTH150G	380-415-3-50	342	456	SCR	11.0	101	2	1 3/4	3.0	2	2 2/3	4.8	20	30.4	36	43	50
3RTH180G	380-415-3-50	342	456	SCR	13.8	111	2	1 3/4	3.0	2	5	7.3	25	38.0	45	55	60
3RTH216G	380-415-3-50	342	456	SCR	16.0	118	2	1 1/2	3.0	2	5	7.3	25	38.0	50	55	65
3RTH240G	380-415-3-50	342	456	SCR	17.7	118	2	1 1/2	3.0	2	5	7.3	30	45.6	54	65	70
3RTH300G	380-415-3-50	342	456	SCR	26.5	174	2	1 1/2	3.0	2	7 1/2	10.5	30	45.6	77	68	105

NOTE:

MOCP-Maximum over current protection, SCR- Scroll compressor, RLA-Running Load Amps, LRA-locked Rotor Amps, QTY-Quantity
FLA-Full Load Amps, MCA-Minimum Circuit Amps, MOCP-Maximum Over Current Protection

UNIT SPECIFICATIONS

COOLING PERFORMANCE DATA FOR 5TR.

Model	Evaporator CFM	Dry Bulb Temp. F	Wet Bulb Temp. F	85F			95F			105F			115F			120F			125F					
				Capacity Btuh	Sensible capacity Btuh	Power Input Watt	Capacity Btuh	Sensible capacity Btuh	Power Input Watt	Capacity Btuh	Sensible capacity Btuh	Power Input Watt	Capacity Btuh	Sensible capacity Btuh	Power Input Watt	Capacity Btuh	Sensible capacity Btuh	Power Input Watt	Capacity Btuh	Sensible capacity Btuh	Power Input Watt			
3RTH060	1350	84.2	66.2	59764	35993	5120	56554	34865	5561	54055	33737	6114	51322	32835	6720	49181	32384	7045	49206	31933	7383			
			82	69	60425	30302	5135	57184	29207	5577	55373	28650	6154	51892	27563	6739	49730	27125	7065	49756	26688	7404		
				67	59161	33906	5106	55980	32778	5546	53502	31763	6097	50821	30861	6702	48698	30410	7025	48723	29959	7363		
				65	57480	35351	5070	54375	34346	5508	50464	33118	6010	47807	32342	6606	45980	32102	6924	45990	31795	7256		
		80	63	55800	36797	5035	52769	35914	5471	47425	34472	5924	44792	33823	6510	43262	33793	6823	43258	33632	7149			
			69	59795	27349	5120	56584	26288	5561	55576	26076	6160	51339	24804	6719	49197	24379	7044	49222	23955	7382			
			67	58558	31819	5091	55406	30691	5530	52948	29789	6080	50320	28887	6684	48216	28436	7006	48239	27985	7343			
		78	65	56913	33306	5057	53834	32305	5493	49952	31141	5994	47333	30369	6588	45520	30272	6906	45531	29821	7236			
			63	55268	34792	5022	52262	33919	5456	46957	32492	5908	44346	31850	6493	42825	32109	6805	42823	31658	7129			
			69	58991	24536	5100	55817	23514	5540	54827	23310	6137	51371	22280	6720	49228	21871	7045	49254	21463	7383			
			67	57774	29160	5072	54658	28056	5510	52230	27172	6057	49418	26289	6659	47553	25847	6980	47574	25406	7314			
		76	65	56265	30981	5038	53217	29997	5473	49370	28849	5972	46669	28090	6564	44983	27991	6880	44993	27545	7209			
	63		54756	32803	5004	51776	31938	5437	46509	30525	5887	43921	29890	6469	42414	30135	6780	42413	29684	7103				
	69		58186	21724	5081	55050	20740	5519	54077	20543	6114	51403	19757	6721	49259	19363	7046	49286	18970	7384				
	67		56990	26501	5053	53911	25420	5489	51512	24556	6034	48515	23691	6633	46890	23258	6953	46909	22826	7286				
	1875	84.2	66.2	64902	42127	5243	61434	41187	5693	58665	40248	6257	55786	39308	6880	54472	38995	7213	53512	38368	7561			
				82	69	65263	35283	5250	61780	34215	5701	58997	33303	6266	56098	32695	6890	54782	32087	7224	53813	31784	7571	
					67	64146	39500	5225	60717	38403	5674	57976	37620	6236	55127	36681	6857	53828	36211	7189	52876	35741	7535	
					65	62605	42553	5196	59246	41622	5643	56565	40683	6202	53775	39665	6819	52270	39195	7149	51567	38725	7493	
		80	63	61065	45607	5166	57775	44841	5612	55154	43745	6168	52423	42649	6782	50712	42179	7110	50259	41709	7451			
			69	64474	31502	5232	61029	30618	5681	58277	29734	6244	55409	29145	6866	54107	28556	7198	53148	28261	7545			
			67	63389	36872	5207	60000	35619	5655	57286	34993	6215	54467	34053	6834	53184	33427	7165	52239	33114	7509			
			65	61821	40091	5177	58505	38838	5623	55852	38055	6180	53094	36959	6795	51372	36489	7124	50910	36019	7466			
		78	63	60253	43310	5147	57010	42057	5591	54418	41118	6145	51721	39865	6756	49559	39552	7083	49581	38925	7423			
			69	63561	28067	5210	60162	27079	5658	57443	26364	6219	54614	25659	6838	53325	25228	7168	52378	24944	7513			
			67	62504	33441	5186	59155	32364	5632	56479	31600	6190	53694	30680	6806	51951	30216	7135	51491	29910	7479			
			65	61033	36983	5158	57754	35819	5602	54374	34732	6135	52405	33959	6770	50463	33570	7097	50244	33104	7438			
		76	63	59562	40526	5130	56352	39273	5572	52269	37864	6080	51116	37237	6734	48976	36924	7059	48997	36298	7398			
			69	62648	24632	5188	59295	23539	5635	56610	22993	6193	53819	22173	6809	52544	21900	7139	51608	21627	7482			
			67	61619	30009	5165	58310	29108	5609	55671	28207	6165	52921	27306	6779	50717	27006	7106	50742	26706	7448			
			65	60245	33876	5139	57003	32799	5582	52896	31409	6090	51716	30958	6745	49555	30651	7071	49578	30188	7410			
		2081	84.2	66.2	66039	45017	5270	62520	43627	5722	59701	42931	6289	56776	41888	6916	55441	41541	7251	54463	41193	7600		
					82	69	66338	37299	5276	62801	36287	5729	59973	35449	6296	57261	34601	6923	55693	34264	7259	54710	33926	7608
						67	65258	41927	5251	61774	40711	5703	58987	40015	6268	56093	38972	6892	54772	38625	7225	53804	38277	7573
						65	63731	45413	5223	60319	44196	5673	57591	43327	6235	54754	42284	6855	53460	41850	7187	52509	41502	7533
			80	63	62203	48899	5195	58863	47682	5642	56194	46639	6202	53416	45596	6819	52148	45075	7149	51215	44727	7493		
69				65519	33328	5257	62022	32347	5708	59229	31366	6274	56319	30712	6899	54994	30385	7233	54021	30059	7581			
67				64476	38838	5233	61029	37795	5683	58273	37099	6246	55410	36056	6868	54104	35709	7200	53145	35361	7547			
65				62932	42410	5204	59560	41193	5652	56863	40324	6212	54058	39281	6831	52777	38934	7161	51836	38586	7505			
78	63		61388	45983	5175	58090	44592	5621	55453	43549	6179	52706	42506	6793	51451	42159	7122	50528	41811	7464				
	69		64593	29423	5235	61141	28478	5685	58382	27685	6248	55509	27054	6870	54200	26739	7203	53239	26424	7549				
	67		63573	35238	5212	60171	34217	5660	57452	33370	6221	54623	32515	6840	53332	32174	7171	52387	31667	7516				
	65		62122	39066	5184	58788	37947	5631	56124	37001	6189	53351	36053	6805	51854	35709	7134	51154	35281	7477				
76	63		60671	42893	5157	57405	41676	5602	54797	40633	6158	52079	39590	6770	50375	39243	7097	49922	38895	7438				
	69		63667	25519	5213	60261	24609	5661	57535	24003	6222	54699	23397	6841	53406	23093	7172	52457	22790	7518				
	67		62671	31639	5190	59312	30640	5637	56631	29640	6196	53835	28973	6812	52560	28640	7141	51628	27974	7485				
	65		61313	35721	5165	58016	34700	5610	55386	33679	6166	52643	32824	6779	50930	32483	7107	50472	31976	7449				
63	59955		39803	5140	56721	38760	5583	54140	37717	6137	51451	36674	6747	49300	36327	7073	49317	35979	7412					

UNIT SPECIFICATIONS

COOLING PERFORMANCE DATA FOR 6TR.

Model	Evaporator CFM	Dry Bulb Temp. F	Wet Bulb Temp. F	85F			95F			105F			115F			120F			125F			
				Capacity Btuh	Sensible capacity Btuh	Power Input Watt	Capacity Btuh	Sensible capacity Btuh	Power Input Watt	Capacity Btuh	Sensible capacity Btuh	Power Input Watt	Capacity Btuh	Sensible capacity Btuh	Power Input Watt	Capacity Btuh	Sensible capacity Btuh	Power Input Watt	Capacity Btuh	Sensible capacity Btuh	Power Input Watt	
3RTH072	1620	84.2	66.2	70183	43682	5883	66389	42398	6394	62795	41435	7046	59207	40151	7772	57874	39509	8166	57498	38867	8582	
			82	69	70362	36659	5886	66551	35414	6398	65103	35102	7111	61168	33857	7842	59788	33385	8238	59392	32922	8656
			67	68994	40995	5854	65262	39711	6363	61731	38748	7012	58205	37464	7736	56897	36822	8129	56530	36341	8543	
			65	67089	43460	5813	63345	42584	6320	58241	41078	6908	54910	39794	7625	53677	39233	8014	53338	38671	8424	
		63	65184	45924	5773	61427	45457	6277	54751	43408	6805	51615	42124	7514	50457	41643	7899	50146	41001	8305		
		80	69	69140	32930	5856	65392	31723	6366	63760	31421	7076	60117	30213	7804	58762	29911	8199	58377	29308	8616	
			67	67805	38309	5824	64135	37025	6332	60667	36062	6978	57204	34778	7700	55920	34136	8091	55562	33815	8504	
			65	65946	40796	5785	62155	40157	6290	57240	38392	6876	53969	37108	7590	52758	36626	7978	52428	36145	8386	
			63	64088	43283	5746	60176	43289	6248	53813	40722	6774	50733	39438	7480	49596	39117	7864	49294	38475	8269	
		78	69	67916	29392	5826	64014	28228	6334	62641	27937	7040	59063	26914	7766	57734	26483	8160	57360	25901	8575	
			67	66617	34787	5795	62793	33683	6300	59602	32740	6944	56201	31483	7663	54941	31008	8053	54594	30540	8464	
			65	65019	37775	5759	61176	37143	6262	56431	35468	6845	53210	34197	7557	52019	33799	7943	51698	33244	8351	
	63		63422	40764	5723	59560	40603	6223	53259	38195	6747	50218	36912	7451	49097	36591	7833	48803	35949	8237		
	76	69	66691	25854	5796	62635	24734	6301	61523	24454	7004	58009	23614	7728	56706	23054	8120	56343	22494	8534		
		67	65429	31264	5766	61451	30341	6269	58537	29418	6910	55199	28188	7626	53962	27880	8015	53625	27265	8425		
		65	64093	34755	5733	60197	34129	6234	55621	32544	6815	52451	31287	7524	51280	30972	7909	50969	30344	8315		
		63	62757	38245	5701	58943	37916	6199	52705	35669	6721	49703	34385	7422	48598	34064	7803	48313	33423	8205		
	2250	84.2	66.2	77054	51761	6041	72487	50424	6563	69013	49087	7228	64608	48195	7968	63141	47303	8369	62706	46858	8791	
			82	69	76736	42882	6033	72177	41807	6554	70772	41375	7282	66256	40287	8026	64749	39645	8428	64299	38989	8852
			67	75667	48239	6008	71180	46901	6527	67543	45787	7190	63446	44672	7927	62008	44004	8326	61584	43558	8747	
			65	73919	52158	5976	69620	50820	6494	64045	48926	7094	60255	47811	7825	58888	47142	8221	58492	46585	8638	
		63	72170	56077	5944	68059	54739	6461	60547	52064	6998	57063	50950	7722	55769	50281	8115	55400	49612	8529		
		80	69	75241	38367	5997	70769	37110	6516	69408	36690	7240	64979	35852	7981	63504	35013	8382	63066	34594	8804	
			67	74281	44716	5974	69872	43379	6492	66073	42487	7151	62285	41150	7886	60874	40704	8284	60463	40258	8703	
65			72482	48635	5943	68357	47298	6459	62759	45515	7057	59156	44400	7785	57816	43731	8179	57431	43285	8595		
63			70683	52554	5912	66842	51217	6427	59446	48542	6962	56026	47650	7684	54759	46759	8075	54400	46313	8488		
78		69	73630	33903	5962	69437	32691	6479	67889	32287	7200	63772	31479	7938	62326	30865	8337	61900	30461	8758		
		67	72698	40414	5940	68564	39104	6456	64838	38231	7112	61122	37135	7844	59740	36699	8240	59341	36048	8658		
		65	71224	44834	5911	67267	43511	6425	61752	41737	7019	58212	40743	7745	56897	40190	8138	56525	39531	8552		
	63	69751	49254	5882	65969	47917	6394	58666	45242	6927	55301	44350	7645	54055	43682	8035	53709	43013	8446			
76	69	72019	29438	5928	68104	28272	6442	66370	27883	7159	62564	27105	7895	61147	26716	8293	60733	26328	8712			
	67	71115	36112	5906	67255	34830	6419	63604	33975	7073	59960	33120	7802	58606	32693	8197	58220	31838	8613			
	65	69967	41033	5879	66176	39724	6390	60745	37959	6982	57268	37086	7704	55978	36649	8096	55619	35776	8509			
	63	68819	45955	5852	65097	44617	6361	57886	41942	6892	54576	41051	7607	53351	40605	7995	53018	39713	8404			
2497	84.2	66.2	78512	54970	6077	73855	53980	6601	70309	52496	7269	65818	51507	8012	64319	51012	8414	63872	50023	8837		
		82	69	78135	45437	6067	73491	44477	6591	72043	43997	7322	67444	42790	8068	65906	42310	8472	65441	41830	8897	
		67	77099	51061	6043	72522	50071	6565	69042	48834	7230	64633	47845	7970	63164	47103	8371	62729	46361	8793		
		65	75364	55410	6012	70978	54173	6532	65413	52441	7134	61429	51204	7868	60033	50586	8266	59623	49968	8685		
	63	73629	59759	5981	69434	58275	6500	61784	56048	7039	58224	54564	7767	56901	54069	8161	56518	53575	8577			
	80	69	76637	40253	6031	72078	39322	6552	70674	38857	7280	66162	37927	8023	64656	37461	8426	64204	36996	8849		
		67	75685	47151	6008	71188	46162	6528	67775	45172	7191	63448	44183	7928	62010	43193	8327	61585	42699	8748		
		65	73899	51500	5979	69690	50264	6497	64217	48779	7097	60308	47543	7828	58940	46800	8224	58542	46306	8642		
		63	72113	55850	5949	68192	54365	6465	60659	52386	7003	57167	50902	7728	55870	50407	8121	55498	49913	8535		
	78	69	74986	35598	5995	70711	34702	6514	69351	34253	7239	64924	33356	7979	63448	32908	8380	63010	32244	8802		
		67	74067	42665	5974	69851	41696	6492	66282	40727	7151	62262	39521	7886	60852	38789	8283	60440	38305	8703		
		65	72435	47303	5945	68401	46200	6461	62910	44602	7059	59187	43381	7787	57847	42767	8182	57461	42154	8598		
63		70803	51940	5916	66951	50703	6431	59538	48477	6966	56113	47240	7688	54841	46745	8080	54482	46003	8493			
76	69	73335	30944	5960	69344	30081	6477	68027	29649	7198	63686	28786	7935	62241	28355	8335	61817	27492	8756			
	67	72449	38179	5939	68514	37231	6455	64790	36282	7111	61076	34859	7843	59694	34385	8240	59295	33911	8657			
	65	70972	43105	5911	67112	42136	6425	61603	40425	7020	58067	39219	7746	56754	38734	8139	56380	38002	8554			
	63	69494	48031	5883	65709	47041	6396	58417	44568	6930	55058	43578	7649	53813	43084	8039	53465	42094	8451			

UNIT SPECIFICATIONS

COOLING PERFORMANCE DATA FOR 7.5TR.

Model	Evaporator CFM	Dry Bulb Temp. F	Wet Bulb Temp. F	85F			95F			105F			115F			120F			125F				
				Capacity Btuh	Sensible capacity Btuh	Power Input Watt	Capacity Btuh	Sensible capacity Btuh	Power Input Watt	Capacity Btuh	Sensible capacity Btuh	Power Input Watt	Capacity Btuh	Sensible capacity Btuh	Power Input Watt	Capacity Btuh	Sensible capacity Btuh	Power Input Watt	Capacity Btuh	Sensible capacity Btuh	Power Input Watt		
3RTH090	2025	84.2	66.2	95996	60422	8434	91063	58416	9063	86861	57212	9870	82326	55607	10765	79982	54805	11245	77591	54002	11747		
				82	69	96932	50794	8456	91950	49036	9086	90080	48458	9964	85367	47090	10868	82931	46311	11354	80449	45533	11861
					67	94782	56709	8405	89913	54703	9032	85769	53499	9837	81295	51895	10729	78982	51092	11207	76622	50290	11706
					65	92225	59720	8351	87487	58067	8976	81270	56766	9708	77041	55161	10587	74852	54359	11058	72618	53556	11549
		63	89668	62731	8297	85060	61430	8919	76771	60033	9580	72786	58428	10445	70722	57626	10909	68614	56823	11392			
			80	69	95928	45636	8432	90998	44127	9061	89160	43372	9937	84498	42240	10838	82089	41486	11322	79633	40731	11827	
				67	93568	52997	8376	88763	50991	9002	84677	49787	9804	80265	48182	10692	77982	47380	11169	75654	46577	11666	
		65	91056	56048	8323	86379	54406	8946	80237	53054	9676	76066	51449	10552	73906	50646	11021	71702	49844	11510			
			63	88543	59098	8269	83995	57822	8890	75797	56320	9549	71867	54715	10411	69830	53913	10872	67750	53111	11353		
				78	69	94656	40742	8402	89793	39287	9029	87995	38735	9902	83398	37469	10800	81022	36742	11282	78600	36015	11785
		67	92584		48341	8353	87830	46569	8977	83792	45198	9777	79429	43818	10662	77171	43033	11137	74869	42247	11633		
		65	90136		51943	8300	85507	50428	8922	79425	49003	9650	75298	47511	10523	73162	46717	10990	70981	45923	11478		
	63	87688	55546		8248	83184	54287	8867	75057	52808	9524	71168	51204	10383	69152	50401	10843	67094	49599	11323			
	76	69	93384	35848	8371	88588	34448	8997	86830	34098	9867	82298	32698	10761	79955	31999	11241	77566	31299	11743			
		67	91600	43686	8329	86897	42147	8952	82907	40609	9749	78593	39455	10632	76361	38686	11106	74084	37916	11600			
		65	89217	47839	8277	84636	46449	8898	78612	44953	9624	74531	43573	10494	72417	42787	10960	70260	42002	11446			
		63	86833	51993	8226	82374	50752	8844	74317	49297	9499	70469	47692	10356	68474	46889	10815	66437	46087	11292			
	2812	84.2	66.2	104164	70633	8628	98799	68405	9267	94198	67290	10091	89250	65619	11008	86696	65062	11500	84094	63947	12014		
				82	69	104352	58649	8632	98977	57028	9272	96867	56487	10167	91770	54865	11090	89141	54325	11586	86463	53244	12105
					67	102732	65859	8595	97442	63909	9232	92911	62516	10053	88035	61124	10966	85518	60288	11456	82953	59452	11968
					65	100597	71128	8553	95416	69318	9189	88646	66950	9938	84003	65418	10840	81603	64582	11324	79157	63746	11829
		63	98462	76398	8511	93389	74726	9146	84381	71383	9823	79970	69712	10713	77688	68876	11191	75362	68040	11689			
			80	69	102881	52492	8598	97583	50920	9236	95521	50396	10128	90500	48824	11048	87909	48300	11542	85269	47252	12058	
				67	101300	61085	8561	96086	59414	9197	91624	57743	10015	86821	56628	10924	84340	55514	11413	81812	54957	11923	
		65	99214	66355	8520	94106	64683	9155	87425	62176	9901	82850	60783	10799	80486	59947	11281	78075	59112	11784			
			63	97128	71624	8479	92125	69952	9112	83226	66609	9787	78880	64938	10674	76631	64381	11149	74338	63266	11646		
				78	69	101518	46423	8566	96292	44908	9202	94274	44403	10091	89323	43132	11007	86768	42384	11500	84164	41617	12014
		67	99995		55245	8530	94850	53608	9165	90452	52238	9980	85715	50880	10886	83267	50056	11372	80773	49510	11880		
		65	97892		61187	8488	92853	59393	9121	86259	57176	9865	81750	55661	10760	79419	54971	11240	77041	54141	11740		
	63	95789	67128		8447	90857	65178	9078	82067	62114	9750	77785	60443	10633	75570	59885	11107	73310	58771	11601			
	76	69	100155	40355	8534	95001	38897	9168	93027	38411	10054	88146	37439	10967	85626	36467	11457	83058	35981	11970			
		67	98691	49405	8499	93614	47802	9132	89280	46734	9945	84609	45132	10847	82195	44598	11332	79734	44064	11838			
		65	96570	56019	8457	91601	54103	9088	85093	52176	9829	80650	50540	10720	78352	49994	11198	76008	49170	11697			
		63	94449	62633	8414	89588	60404	9043	80907	57619	9713	76691	55947	10593	74509	55390	11064	72282	54276	11556			
	3121	84.2	66.2	105857	74685	8669	100403	73448	9310	95718	71593	10137	90684	70356	11058	88087	69119	11552	85440	68501	12069		
				82	69	105953	62094	8671	100493	60604	9312	98329	60004	10211	93150	58495	11138	90478	57895	11636	86582	56386	12113
					67	104533	69695	8638	99148	68149	9277	94528	66603	10102	89561	65367	11019	86997	64130	11512	84385	63512	12027
					65	102363	75698	8596	97088	73843	9234	90203	71524	9986	85472	69978	10893	83027	69051	11379	80536	68279	11887
		63	100193	81701	8553	95028	79536	9190	85878	76445	9870	81382	74589	10766	79058	73971	11246	76687	73045	11747			
			80	69	104456	55352	8636	99075	53608	9275	96960	53026	10171	91857	51863	11095	89225	51281	11591	86544	50118	12110	
				67	103208	64706	8607	97893	62851	9245	93338	61614	10067	88438	60377	10981	85908	59141	11472	83330	58522	11985	
		65	101023	70554	8564	95818	68699	9201	89021	66535	9951	84356	64989	10854	81946	64061	11338	79489	63443	11844			
			63	98838	76402	8521	93744	74547	9156	84705	71455	9834	80275	69600	10726	77984	68982	11204	75647	68363	11703		
				78	69	103038	48722	8603	97732	47311	9240	95663	46750	10133	90634	45629	11053	88038	45069	11548	85394	43948	12064
		67	101717		58584	8572	96480	56767	9208	91998	55556	10027	87173	54049	10937	84682	53134	11426	82143	52528	11937		
		65	99669		64999	8532	94536	63163	9166	87825	61011	9914	83227	59330	10813	80851	58563	11296	78428	57951	11800		
	63	97621	71413		8491	92592	69558	9125	83652	66466	9801	79281	64611	10689	77020	63993	11166	74714	63374	11663			
	76	69	101621	42092	8569	96389	41014	9206	94367	40474	10095	89410	39396	11012	86852	38856	11504	84245	37778	12018			
67		100226	52462	8537	95068	50684	9171	90658	49498	9987	85909	47720	10894	83455	47127	11380	80955	46535	11889				
65		98316	59443	8499	93254	57626	9132	86629	55488	9877	82098	53671	10773	79756	53065	11254	77368	52460	11755				
63		96405	66424	8462	91440	64569	9094	82599	61477	9767	78288	59622	10653	76057	59003	11127	73782	58385	11622				

UNIT SPECIFICATIONS

COOLING PERFORMANCE DATA FOR 10TR.

Model	Evaporator CFM	Dry Bulb Temp. F	Wet Bulb Temp. F	85F			95F			105F			115F			120F			125F			
				Capacity Btuh	Sensible capacity Btuh	Power Input Watt	Capacity Btuh	Sensible capacity Btuh	Power Input Watt	Capacity Btuh	Sensible capacity Btuh	Power Input Watt	Capacity Btuh	Sensible capacity Btuh	Power Input Watt	Capacity Btuh	Sensible capacity Btuh	Power Input Watt	Capacity Btuh	Sensible capacity Btuh	Power Input Watt	
3RTH120	2700	84.2	66.2	121905	77887	10377	113593	75213	11226	107665	73608	12318	100814	71468	13513	98975	70933	14149	98869	69863	14812	
		82	69	123478	65381	10410	116028	63305	11286	113857	62535	12478	107919	60710	13691	104202	59940	14337	104113	59153	15010	
			67	120335	72938	10342	112570	70530	11200	106688	68925	12289	99889	66785	13480	98063	66250	14115	97955	65181	14776	
			65	117809	77631	10293	110257	75549	11153	101463	73682	12146	95050	71542	13320	93285	70740	13945	93156	69804	14595	
			63	115284	82324	10244	107945	80568	11105	96239	78439	12003	90212	76299	13159	88507	75229	13775	88357	74427	14415	
		80	69	122309	58836	10384	114916	56823	11258	112775	55817	12446	106881	54308	13656	103197	53302	14301	103103	52799	14972	
			67	118765	67988	10307	111546	65848	11174	105710	64243	12260	98964	62103	13448	97151	61568	14081	97041	60498	14739	
			65	115280	72496	10236	107936	70578	11096	99306	68598	12084	93126	66459	13250	91384	65656	13872	91248	64854	14518	
		63	111795	77005	10165	104326	75308	11019	92901	72954	11908	87288	70814	13053	85617	69744	13662	85454	69209	14296		
			69	121077	52617	10357	113744	50677	11228	111630	49708	12413	104902	48253	13618	102133	47283	14261	102037	46799	14930	
			67	117630	62092	10281	110467	59996	11146	104683	58168	12229	97989	56329	13413	96191	55549	14044	96078	54757	14700	
		65	114382	67269	10211	107087	65378	11070	98512	63220	12055	92375	61230	13218	90645	60439	13837	90508	59642	14481		
	63		111134	72447	10142	103707	70760	10994	92342	68271	11880	86761	66132	13022	85099	65329	13629	84939	64527	14261		
	69		119844	46397	10329	112572	44531	11198	110485	43598	12379	102923	42198	13581	101069	41265	14221	100971	40798	14888		
	67	116495	56196	10255	109388	54145	11118	103656	52094	12198	97013	50555	13378	95232	49530	14007	95114	49017	14661			
		65	113484	62042	10187	106238	60178	11043	97719	57841	12025	91623	56002	13185	89906	55222	13802	89769	54430	14444		
		63	110473	67888	10118	103089	66212	10968	91782	63589	11852	86234	61449	12991	84580	60914	13597	84424	59844	14227		
	3750	84.2	66.2	132550	93241	10604	124728	91012	11497	118434	88783	12619	112282	87297	13848	108434	86554	14504	108354	85068	15186	
			82	69	133242	76834	10618	125375	75043	11511	122733	74323	12730	116144	72509	13971	112187	71788	14633	112112	71068	15323
				67	130800	86637	10566	123061	84408	11456	116834	82551	12574	110750	81065	13797	106950	79950	14450	106863	78836	15129
				65	127645	93902	10507	119796	91487	11392	110489	88701	12410	104101	86752	13615	101298	85554	14257	101189	84779	14926
		63	124490	101166	10448	116532	98565	11328	104145	94850	12247	97452	92439	13433	95646	91158	14065	95515	90722	14722		
			69	131439	68435	10579	123662	66339	11469	120789	65640	12683	114544	64243	13919	110634	63544	14579	110556	62845	15265	
			67	129049	80034	10529	121393	77805	11415	115233	76319	12528	109219	74833	13747	105465	73347	14396	105372	72604	15073	
		65	126143	87298	10474	118367	85069	11356	109141	82468	12371	102817	80611	13571	100044	79496	14211	99930	78753	14876		
			63	123237	94562	10420	115341	92333	11297	103048	88618	12214	96415	86389	13396	94623	85646	14025	94488	84903	14680	
			69	129870	60516	10545	121899	58496	11432	119337	57822	12641	113155	56475	13873	109285	55802	14530	109205	55129	15214	
		67	127562	72403	10496	119712	70220	11379	113880	68765	12488	107026	67310	13703	104205	66210	14350	104112	65127	15024		
			65	124461	80366	10439	116748	78160	11318	107747	75390	12329	101041	73733	13524	98743	72812	14161	98628	71899	14824	
	63		121361	88330	10383	113783	86101	11257	101615	82014	12169	95055	80157	13346	93282	79414	13972	93143	78671	14624		
	76	69	128302	52597	10511	120137	50652	11395	117885	50004	12600	111766	48708	13827	107937	48060	14481	107854	47412	15162		
		67	126074	64772	10463	118030	62636	11344	112526	61211	12449	104834	59787	13659	102945	59074	14303	102852	57650	14974		
		65	122780	73435	10404	115128	71252	11280	106354	68311	12287	99264	66856	13477	97442	66128	14111	97325	65044	14771		
		63	119485	82097	10345	112226	79868	11216	100182	75410	12125	93695	73924	13296	91940	73181	13919	91799	72438	14568		
	4162	84.2	66.2	134655	99362	10652	126730	96888	11548	120340	95239	12676	114106	93590	13911	110205	92765	14570	110121	91940	15256	
			82	69	135231	82076	10663	127272	79676	11560	124858	78875	12784	116173	76863	13976	112213	76063	14639	112135	75263	15329
67				132877	92445	10613	125037	89971	11507	118720	88322	12630	112555	86673	13860	108699	85848	14516	108612	85023	15199	
65				129786	100095	10556	121826	97621	11445	112392	94521	12469	105910	91569	13681	103066	90489	14326	102958	89839	14998	
63		126695	107745	10499	118616	105271	11383	106063	100720	12308	99264	96465	13501	97433	95130	14136	97304	94654	14797			
		69	133403	72852	10624	125531	70525	11518	123157	69750	12737	116285	68199	13979	112324	67423	14642	112249	66648	15332		
		67	131100	85528	10575	123344	83054	11465	117100	81405	12584	111005	79756	13809	107194	78931	14462	107104	78106	15142		
65		128240	93178	10523	120358	90704	11408	111009	87818	12429	104592	86169	13636	101779	85344	14279	101668	84519	14948			
		63	125381	100828	10470	117371	98354	11352	104917	94231	12273	98179	92582	13462	96364	91757	14095	96233	90933	14754		
		69	131760	64175	10588	123967	61933	11479	121362	61186	12694	114830	59691	13931	110912	58943	14591	110834	58196	15278		
67		129540	77127	10541	121590	74705	11428	115681	73090	12543	109647	71474	13763	105876	70667	14414	105783	69859	15091			
		65	126509	85519	10487	118691	83071	11369	109571	80202	12386	103224	78570	13588	100440	77753	14228	100326	76937	14895		
	63	123478	93911	10432	115792	91437	11311	103460	87314	12228	96800	85665	13412	95004	84840	14042	94869	84016	14698			
76	69	130118	55498	10552	122403	53341	11440	119567	52621	12650	113375	51183	13883	109499	50464	14540	109418	49744	15225			
	67	127981	68727	10507	119837	66355	11391	114261	64774	12502	108290	63193	13717	104557	62403	14366	104462	61612	15040			
	65	124778	77860	10451	117024	75438	11330	108133	72586	12343	101855	70970	13539	99100	70163	14177	98984	69355	14841			
	63	121576	86994	10394	114212	84520	11270	102004	80397	12183	95421	78748	13361	93643	77923	13989	93506	77098	14641			

UNIT SPECIFICATIONS

COOLING PERFORMANCE DATA FOR 12.5TR.

Model	Evaporator CFM	Dry Bulb Temp. F	Wet Bulb Temp. F	85F			95F			105F			115F			120F			125F		
				Capacity Btuh	Sensible capacity Btuh	Power Input Watt	Capacity Btuh	Sensible capacity Btuh	Power Input Watt	Capacity Btuh	Sensible capacity Btuh	Power Input Watt	Capacity Btuh	Sensible capacity Btuh	Power Input Watt	Capacity Btuh	Sensible capacity Btuh	Power Input Watt	Capacity Btuh	Sensible capacity Btuh	Power Input Watt
3RTH150	3375	84.2	66.2	144183	95353	12242	136751	92678	13222	129954	90672	14473	122076	87998	15867	117372	87329	16623	116728	85991	17420
			69	145794	79780	12279	138263	77520	13261	135740	76536	14634	126991	74590	16040	122103	73293	16802	121419	71995	17604
			67	142673	89500	12205	134924	86825	13172	128233	84485	14419	120461	82144	15810	115825	81141	16563	115195	79804	17358
			65	138851	95306	12117	131494	93477	13083	121198	90264	14211	113172	87923	15586	109718	86753	16332	109138	85416	17119
		80	63	135029	101112	12029	128064	100129	12994	114164	96043	14004	105883	93702	15363	103612	92365	16101	103081	91027	16880
			69	144209	71658	12241	136770	69143	13220	134295	68514	14590	125644	66627	15993	120811	65369	16753	120140	64112	17553
			67	141163	83647	12169	133097	80972	13122	126511	78297	14365	118846	76291	15752	114277	74954	16504	113663	73616	17296
			65	137432	89453	12083	129945	88088	13041	119772	84076	14166	111840	82070	15538	108433	80733	16282	107865	79395	17067
		78	63	133700	95260	11997	126794	95205	12960	113033	89855	13967	104834	87849	15324	102589	86512	16060	102068	85174	16838
			69	142187	63661	12191	134852	61528	13168	132189	60631	14532	123922	58813	15931	119157	57600	16689	118498	56680	17487
			67	139198	75985	12121	131637	73365	13082	125128	71066	14321	117553	69102	15705	113036	67792	16455	112434	66482	17245
			65	135537	82632	12036	128231	81191	12997	118298	77534	14119	110471	75382	15487	107107	74058	16229	106551	72902	17012
	76	63	131877	89280	11952	124826	89017	12911	111468	84002	13916	103389	81661	15268	101178	80324	16003	100668	79321	16778	
		69	140165	55664	12142	132934	53914	13115	130083	52748	14474	122199	50998	15869	117503	49832	16625	116857	49248	17421	
		67	137234	68322	12073	130177	65758	13041	123746	63835	14278	116260	61912	15658	111795	60630	16406	111205	59348	17195	
		65	133643	75811	11990	126517	74294	12952	116825	70992	14072	109102	68693	15435	105781	67383	16176	105237	66408	16957	
	4687	84.2	66.2	155371	111230	12512	147290	109373	13510	140454	106587	14784	131361	104729	16201	126294	102872	16968	125552	101943	17776
			69	155996	92350	12526	147877	90548	13524	145024	89647	14922	136843	86944	16349	130394	86043	17121	127742	84213	17860
			67	153355	103737	12464	145386	101880	13458	138651	99094	14728	129682	97237	16142	124683	95379	16907	123957	94451	17713
			65	150293	112752	12396	142498	110430	13386	131768	106483	14534	123617	104502	15934	118852	101962	16692	118176	101105	17491
		80	63	147232	121766	12328	139610	118981	13314	124885	113873	14340	117551	111767	15726	113021	108544	16477	112394	107759	17269
			69	153882	82253	12475	145881	80506	13470	143099	79633	14864	135036	77013	16286	128674	76139	17056	127914	75266	17866
			67	151338	96244	12415	143481	94387	13407	136848	91601	14673	128003	89744	16082	123071	87887	16846	122362	86958	17649
			65	148378	105027	12350	140688	102705	13337	129943	98991	14482	122047	97133	15878	117346	95276	16634	116685	94347	17431
		78	63	145417	113809	12284	137896	111023	13267	123039	106380	14291	116091	104523	15673	111620	102666	16422	111007	101737	17212
			69	151482	72733	12417	143618	70644	13409	140916	69803	14796	132403	67683	16214	126718	66841	16981	125982	65594	17789
			67	149010	87070	12359	141286	84806	13347	134502	82523	14608	126062	80704	16013	121207	78885	16774	120517	77976	17575
			65	146126	96693	12295	138564	94168	13279	127840	90705	14420	120205	88635	15811	115575	87029	16565	114932	86110	17359
	76	63	143243	106317	12231	135841	103531	13210	121179	98888	14231	114348	96566	15608	109943	95173	16356	109347	94244	17143	
		69	149081	63213	12359	141356	60783	13347	138733	59973	14728	129769	58353	16142	124762	57543	16907	124050	55923	17712	
		67	146681	77896	12303	139092	75225	13287	132156	73445	14543	124120	71664	15944	119343	69884	16702	118672	68994	17501	
		65	143875	88360	12240	136439	85632	13220	125738	82420	14357	118363	80137	15744	113805	78782	16496	113180	77873	17288	
	5202	84.2	66.2	157685	119329	12569	149485	116237	13570	142519	114175	14848	134470	112114	16270	128131	111083	17040	127235	109022	17844
			69	157922	98497	12573	149699	96013	13574	146777	95497	14977	136480	91982	16338	130046	90982	17110	129267	89982	17922
			67	155578	111013	12518	147495	107921	13516	140636	105859	14791	132124	103798	16209	126448	102767	16976	125637	101221	17781
			65	152606	120503	12452	144558	117668	13443	133811	113628	14594	125687	110118	15999	120551	107921	16759	119823	106725	17559
80		63	149634	129993	12387	141622	127416	13370	126987	121398	14398	119251	116439	15789	114653	113074	16542	114008	112228	17337	
		69	155539	87413	12515	147455	84505	13513	144607	84505	14911	136450	81597	16337	130019	80628	17109	129244	79659	17920	
		67	153471	102697	12468	145505	99605	13462	138753	97543	14733	129777	95482	16147	124765	94451	16912	124039	93421	17718	
		65	150604	111929	12404	142539	109352	13388	131939	105745	14536	123643	103683	15936	118873	102137	16695	118196	101107	17494	
78		63	147736	121161	12340	139572	119100	13314	125125	113946	14340	117510	111885	15726	112981	109824	16477	112354	108793	17269	
		69	153273	76538	12461	145309	74185	13455	142537	74185	14847	134507	71383	16269	128170	70449	17038	127414	69515	17848	
		67	151101	92106	12410	143260	89572	13401	136627	87553	14667	127797	85534	16076	122865	84525	16839	122158	83516	17642	
		65	148311	102475	12348	140497	99920	13332	129899	96592	14477	121871	94552	15872	117172	93016	16628	116513	91996	17425	
76	63	145520	112845	12286	137735	110268	13263	123171	105630	14286	115945	103569	15668	111479	101508	16418	110867	100477	17208		
	69	151007	65664	12406	143162	63866	13397	140468	63866	14783	132564	61169	16200	126320	60270	16967	125583	59371	17775		
	67	148731	81515	12353	141016	79539	13340	134501	77563	14601	125817	75587	16005	120964	74599	16766	120276	73610	17567		
	65	146018	93022	12292	138456	90488	13276	127859	87438	14417	120099	85420	15808	115471	83895	16562	114829	82886	17356		
63	143304	104529	12232	135897	101437	13212	121217	97314	14233	114380	95253	15610	109977	93192	16358	109381	92161	17146			

UNIT SPECIFICATIONS COOLING PERFORMANCE DATA FOR 15TR.

Model	Evaporator CFM	Dry Bulb Temp. F	Wet Bulb Temp. F	85F			95F			105F			115F			120F			125F			
				Capacity Btuh	Sensible capacity Btuh	Power Input Watt	Capacity Btuh	Sensible capacity Btuh	Power Input Watt	Capacity Btuh	Sensible capacity Btuh	Power Input Watt	Capacity Btuh	Sensible capacity Btuh	Power Input Watt	Capacity Btuh	Sensible capacity Btuh	Power Input Watt	Capacity Btuh	Sensible capacity Btuh	Power Input Watt	
3RTH180	4050	84.2	66.2	176661	112737	15614	167531	109527	16836	159737	107120	18401	151316	103910	20130	146959	102305	21056	142515	101503	22020	
		82	69	177663	94282	15637	168480	91545	16860	165103	90389	18562	156381	88054	20307	151872	86497	21242	147274	84940	22217	
			67	174258	105605	15555	165255	102395	16773	157577	99988	18333	149278	97179	20055	144983	95574	20976	140602	94371	21937	
			65	169929	112215	15457	161149	109984	16669	149541	106228	18090	141683	103620	19785	137614	102016	20691	133462	100611	21635	
			63	165599	118825	15359	157043	117574	16566	141505	112469	17846	134089	110062	19515	130245	108457	20406	126322	106852	21334	
		80	69	175195	84475	15577	166142	82211	16797	162843	80702	18492	154249	78438	20230	149805	76928	21161	145272	75419	22132	
			67	171856	98473	15497	162979	95263	16711	155418	92856	18265	147239	90448	19980	143007	88844	20897	138688	87239	21853	
			65	167614	105177	15400	158955	103510	16609	147498	99096	18023	139755	96689	19711	135744	95084	20613	131651	93479	21553	
			63	163372	111882	15304	154932	111756	16506	139578	105337	17782	132270	102929	19443	128481	101325	20330	124613	99720	21254	
		78	69	173101	75189	15526	164157	73007	16742	160925	71902	18431	152439	69371	20163	148051	68266	21090	143574	66812	22057	
			67	169859	89598	15447	161086	86455	16658	153622	84097	18207	145545	81740	19915	141365	80168	20829	137098	78981	21781	
			65	165739	97336	15353	157178	95539	16558	145842	91352	17968	138192	88969	19650	134229	87381	20548	130184	85985	21485	
	63		161618	105074	15258	153270	104624	16457	138061	98606	17729	130838	96199	19384	127093	94594	20268	123269	92989	21188		
	76	69	171007	65903	15474	162173	63803	16687	159006	63103	18370	150630	60304	20096	146296	59604	21020	141876	58204	21983		
		67	167862	80723	15398	159194	77646	16605	151827	75339	18149	143851	73031	19851	139722	71493	20761	135508	70723	21710		
		65	163863	89494	15305	155401	87569	16507	144186	83607	17913	136629	81249	19588	132713	79678	20483	128716	78491	21416		
		63	159864	98265	15213	151608	97492	16409	136545	91875	17676	129406	89468	19325	125705	87863	20206	121924	86258	21122		
	5625	84.2	66.2	189309	134605	15921	179508	131261	17162	171092	129032	18758	162024	125689	20523	157339	124574	21469	152564	123460	22456	
			82	69	189783	111913	15931	179956	108669	17173	176187	107588	18905	166833	105425	20685	162003	103263	21640	157080	102181	22636
				67	186876	125612	15863	177203	122269	17100	168907	120040	18690	159963	116696	20449	155341	115582	21391	150630	114467	22374
				65	183206	136152	15784	173723	132809	17017	161230	128630	18467	152712	125565	20202	148307	124172	21131	143814	122491	22100
		80	63	179536	146693	15704	170243	143349	16933	153554	137219	18244	145461	134433	19956	141272	132761	20872	136998	130516	21826	
			69	187245	99762	15871	177552	96617	17109	173865	95569	18835	164644	93473	20608	159880	91377	21559	155026	90329	22550	
			67	184442	116620	15804	174898	113277	17038	166721	111048	18623	157902	107704	20375	153343	106590	21313	148695	105475	22292	
65			180726	127160	15723	171373	123817	16953	159045	119359	18398	150651	116572	20126	146308	114901	21051	141879	113786	22015		
78		63	177009	137700	15643	167849	134357	16868	151369	127670	18173	143399	125441	19878	139273	123212	20789	135063	122097	21739		
		69	184423	87813	15803	174879	85268	17037	171284	84258	18756	162209	81752	20521	157520	80218	21467	152741	79208	22454		
		67	181700	105053	15738	172300	101778	16968	164258	99595	18546	155579	96855	20290	151091	95764	21224	146515	94138	22197		
		65	178236	116602	15662	169015	113293	16888	156846	109137	18327	148577	106652	20048	144298	104992	20969	139933	103622	21928		
76	63	174772	128151	15587	165730	124807	16808	149434	118678	18108	141574	116449	19806	137504	114220	20714	133351	113105	21659			
	69	181601	75863	15735	172206	73919	16965	168702	72947	18677	159774	70031	20434	155160	69059	21375	150456	68087	22358			
	67	178958	93485	15672	169703	90280	16897	161795	88143	18469	153256	86006	20205	148839	84938	21134	144335	82801	22103			
	65	175746	106043	15601	166657	102769	16823	154648	98914	18256	146503	96731	19970	142287	95083	20886	137987	93457	21841			
6243	84.2	66.2	193529	141471	16023	183502	137760	17269	174878	135286	18874	165594	132812	20652	160799	131575	21604	155913	129101	22598		
		82	69	193292	116609	16016	183277	113591	17263	179393	112390	19004	169855	109990	20794	164931	108790	21754	159915	107590	22755	
			67	190636	131222	15954	180762	128130	17197	172280	125656	18795	163144	123182	20565	158424	121327	21513	153613	119471	22502	
			65	187315	142570	15884	177613	139169	17123	164844	135149	18582	156120	132244	20330	151610	129915	21265	147011	127564	22241	
	80	63	183995	153919	15814	174464	150208	17049	157408	144641	18369	149096	141305	20094	144796	138503	21018	140409	135657	21980		
		69	190323	103096	15946	180466	100769	17189	176678	99606	18923	167295	97280	20705	162449	96116	21660	157512	94953	22657		
		67	187742	120973	15885	178022	118500	17124	169683	116026	18716	160694	113552	20478	156049	111078	21421	151314	109841	22406		
		65	184512	132322	15817	174958	129229	17052	162371	125518	18505	153788	122426	20245	149349	120571	21176	144823	119334	22147		
	78	63	181281	143670	15748	171893	139959	16979	155060	135011	18294	146882	131300	20011	142649	130063	20930	138331	128826	21888		
		69	187338	90955	15875	177639	88713	17113	173948	87592	18839	164721	85350	20613	159954	84229	21564	155097	83108	22556		
		67	184837	109238	15815	175270	106816	17050	167073	104393	18635	158233	101377	20388	153664	99548	21327	149005	98336	22307		
		65	181702	121639	15748	172297	118572	16979	159894	114578	18426	151451	111524	20157	147084	109990	21084	142630	108766	22050		
76	63	178567	134040	15681	169324	130329	16908	152715	124763	18217	144669	121670	19926	140504	120433	20840	136254	119196	21793			
	69	184354	78814	15803	174812	76657	17037	171219	75578	18756	162146	73420	20521	157459	72341	21467	152681	71263	22454			
	67	181931	97503	15745	172518	95132	16975	164464	92760	18554	155772	89203	20299	151278	88017	21233	146696	86832	22208			
	65	178893	110956	15679	169636	107915	16906	157416	103637	18347	149114	100621	20070	144818	99410	20992	140437	98199	21953			
63	175854	124409	15614	166754	120699	16837	150369	114514	18140	142456	112040	19841	138358	110803	20751	134177	109566	21698				

UNIT SPECIFICATIONS COOLING PERFORMANCE DATA FOR 18TR.

Model	Evaporator CFM	Dry Bulb Temp. F	Wet Bulb Temp. F	85F			95F			105F			115F			120F			125F		
				Capacity Btuh	Sensible capacity Btuh	Power Input Watt	Capacity Btuh	Sensible capacity Btuh	Power Input Watt	Capacity Btuh	Sensible capacity Btuh	Power Input Watt	Capacity Btuh	Sensible capacity Btuh	Power Input Watt	Capacity Btuh	Sensible capacity Btuh	Power Input Watt	Capacity Btuh	Sensible capacity Btuh	Power Input Watt
3RTH216	4860	84.2	66.2	222954	139136	19587	211875	135284	21129	202130	131433	23124	191142	128544	25378	185296	125655	26606	179229	123729	27903
			69	224929	116876	19634	213751	113591	21180	209491	112204	23359	198129	108467	25642	192093	106599	26886	185834	104730	28200
			67	220058	130578	19516	209121	126726	21052	199504	123356	23037	188650	119985	25280	182872	117578	26503	176874	115652	27793
			65	215333	138243	19399	204630	134854	20924	190040	131326	22725	179664	127715	24927	174129	125548	26127	168378	123622	27394
		80	63	210608	145909	19282	200139	142981	20797	180577	139296	22412	170677	135444	24574	165386	133518	25752	159881	131592	26995
			69	222526	104992	19575	211466	102276	21116	207272	100464	23286	196025	96842	25560	190047	95031	26800	183846	93220	28108
			67	217162	122019	19445	206367	118167	20975	196878	115279	22951	186158	111427	25183	180449	109501	26399	174520	107575	27683
			65	212861	129877	19338	202278	126507	20858	187833	123249	22651	177568	119397	24844	172091	117471	26039	166398	115545	27299
		78	63	208561	137734	19231	198190	134847	20741	178788	131219	22350	168979	127367	24505	163734	125441	25678	158276	123515	26916
			69	219496	93717	19501	208585	91099	21035	204474	89354	23194	193371	86283	25457	187466	84537	26690	181339	82792	27992
			67	214812	111290	19386	204132	107518	20911	194747	104689	22879	184137	100917	25102	178483	99031	26313	172610	97145	27592
			65	210307	120328	19274	199848	117025	20788	185562	113674	22573	175412	109863	24756	169994	107957	25945	164360	106051	27200
	76	63	205801	129366	19162	195565	126532	20665	176377	122660	22267	166688	118809	24411	161505	116883	25577	156110	114957	26809	
		69	216467	82443	19426	205704	79923	20954	201676	78243	23102	190716	75724	25354	184884	74044	26580	178832	72364	27875	
		67	212463	100560	19328	201897	96868	20847	192616	94099	22808	182115	90406	25022	176517	88560	26228	170700	86714	27501	
		65	207752	110779	19210	197418	107543	20718	183291	104100	22496	173257	100328	24669	167897	98442	25852	162322	96556	27101	
	6750	84.2	66.2	238366	165538	19960	226523	161525	21535	216088	157513	23578	204383	154838	25888	198172	152164	27148	191736	150826	28478
			69	239138	136891	19978	227256	133667	21555	222595	132369	23782	210557	129105	26117	204177	127179	27390	197571	125213	28734
			67	235465	154078	19890	223765	150735	21459	213461	146723	23493	201891	143379	25793	195749	141373	27046	189383	140036	28370
			65	231353	167395	19789	219858	163383	21349	204280	157699	23195	193179	154021	25458	187275	152015	26691	181150	150343	27993
		80	63	227240	180712	19689	215951	176031	21240	195099	168675	22898	184466	164663	25123	178801	162657	26336	172917	160651	27616
			69	236104	122230	19905	224371	118456	21475	219797	117199	23692	207904	114683	26016	201598	112168	27283	195066	110910	28621
			67	232564	142619	19820	221007	139944	21382	210834	135932	23407	199399	131920	25697	193326	130582	26944	187030	129245	28262
			65	228364	155936	19717	217017	152592	21270	201623	146574	23108	190658	142562	25360	184824	141224	26587	178769	139218	27882
		78	63	224164	169253	19614	213026	165240	21158	192413	157216	22809	181917	153204	25022	176322	151866	26229	170508	149192	27502
			69	232683	108382	19822	221119	104746	21385	216642	103534	23589	204912	101110	25901	198688	98686	27161	192240	97474	28492
			67	229238	129324	19738	217845	126063	21294	207820	122775	23308	196541	118846	25585	190547	117536	26827	184331	115585	28137
			65	225343	143558	19642	214145	139922	21189	198932	134600	23018	188105	130629	25259	182341	129306	26479	176357	126993	27768
	76	63	221449	157793	19546	210445	153781	21085	190043	146425	22728	179668	142413	24932	174134	141076	26132	168383	138401	27399	
		69	229261	94535	19739	217866	91036	21294	213486	89869	23487	201919	87537	25786	195779	85204	27040	189414	84037	28363	
		67	225911	116028	19657	214683	112182	21206	204807	109618	23210	193683	105772	25474	187768	104490	26709	181631	101926	28012	
		65	222323	131181	19568	211273	127252	21109	196240	122626	22929	185551	118697	25158	179857	117387	26372	173945	114768	27654	
	7492	84.2	66.2	241947	176312	20044	229928	171859	21626	219334	168890	23680	207463	165922	26002	201168	162953	27269	194647	161468	28606
			69	242041	145480	20049	230014	141857	21631	225269	140417	23868	213092	137537	26213	206641	136096	27492	199964	133216	28842
			67	238845	164336	19971	226978	159882	21546	216523	156914	23590	204796	153945	25902	198574	150976	27162	192127	149491	28493
			65	234885	178374	19874	223216	173921	21442	207419	168725	23297	196157	165386	25573	190172	162218	26813	183964	159594	28122
80		63	230924	192413	19778	219453	187959	21337	198316	180537	23005	187518	176826	25244	181769	173459	26464	175801	169697	27751	
		69	238635	128686	19967	226776	125894	21542	222130	124498	23768	210115	121706	26101	203747	120310	27373	197153	117518	28716	
		67	235743	152359	19897	224028	147906	21466	213711	144937	23501	202129	141968	25802	195980	138999	27056	189608	137515	28380	
		65	231766	166397	19799	220250	161944	21360	204645	156749	23207	193525	153038	25472	187612	150811	26706	181477	149327	28008	
78		63	227789	180436	19702	216472	175983	21254	195578	168561	22914	184921	164107	25141	179243	162623	26355	173347	161138	27636	
		69	235371	113570	19887	223673	110879	21456	219120	109534	23670	207261	106843	25991	200972	105498	27257	194458	102807	28593	
		67	232346	137013	19814	220799	133364	21376	210635	130456	23400	199211	126837	25689	193143	124641	26936	186852	123188	28253	
		65	228641	152365	19723	217279	148685	21277	201861	143520	23115	190884	139484	25368	185044	137644	26595	178983	136175	27891	
76	63	224936	167717	19631	213760	164006	21178	193088	156584	22830	182558	152130	25046	176945	150646	26254	171114	149162	27529		
	69	232106	98454	19808	220570	95864	21370	216109	94570	23572	204407	91980	25882	198198	90686	27141	191764	88096	28471		
	67	228949	121668	19731	217570	118822	21286	207558	115976	23300	196293	111707	25576	190306	110284	26816	184097	108861	28126		
	65	225516	138333	19646	214309	135425	21194	199078	130291	23023	188244	125930	25264	182477	124477	26485	176489	123023	27774		
63	222084	154998	19561	211047	152029	21101	190597	144607	22746	180195	140154	24951	174647	138669	26153	168882	137185	27421			

UNIT SPECIFICATIONS COOLING PERFORMANCE DATA FOR 20TR.

Model	Evaporator CFM	Dry Bulb Temp. F	Wet Bulb Temp. F	85F			95F			105F			115F			120F			125F			
				Capacity Btuh	Sensible capacity Btuh	Power Input Watt	Capacity Btuh	Sensible capacity Btuh	Power Input Watt	Capacity Btuh	Sensible capacity Btuh	Power Input Watt	Capacity Btuh	Sensible capacity Btuh	Power Input Watt	Capacity Btuh	Sensible capacity Btuh	Power Input Watt	Capacity Btuh	Sensible capacity Btuh	Power Input Watt	
3RTH240	5400	84.2	66.2	247859	154596	21606	235742	150316	23357	224691	146036	25604	211757	141757	28146	204738	139617	29535	197382	137477	31005	
			82	69	249903	129862	21654	237679	126213	23409	232784	124671	25858	219414	120519	28431	212175	117908	29837	204595	115832	31325
			67	245122	145086	21540	232566	140807	23269	221671	137062	25505	208898	132782	28035	201962	130107	29418	194689	127968	30880	
			65	239535	153595	21405	227552	149860	23129	211026	145918	25157	198800	141638	27643	192143	138963	29001	185153	136556	30439	
			63	233948	162104	21270	222537	158913	22988	200380	154773	24808	188703	150493	27251	182325	147819	28585	175617	145144	29997	
		80	69	247044	116658	21585	234965	113639	23334	230164	111627	25774	216939	107602	28337	209772	105590	29737	202267	103578	31219	
			67	242385	135577	21475	229391	131297	23181	218651	128087	25407	206040	123808	27924	199186	120598	29300	191995	118458	30756	
			65	236940	144274	21342	224798	140563	23052	208441	136943	25071	196351	132663	27546	189762	129454	28899	182841	127314	30330	
		78	63	231496	152971	21210	220205	149828	22922	198231	145799	24735	186662	141519	27168	180339	138309	28497	173687	136169	29904	
			69	243544	104130	21501	231643	101221	23242	226953	99282	25669	213902	95403	28219	206824	93464	29613	199408	91525	31087	
			67	238978	123655	21392	226732	119464	23107	216121	116321	25323	203643	112130	27830	196857	109499	29200	189736	107404	30649	
		76	65	233641	133647	21262	221951	130011	22971	205775	126305	24981	193821	122070	27445	187302	119149	28791	180451	117032	30216	
	63		228304	143639	21131	217169	140558	22835	195430	136289	24639	183999	132009	27060	177747	128800	28382	171166	126660	29782		
	69		240044	91603	21417	228320	88803	23150	223741	86937	25565	210865	83204	28102	203876	81338	29489	196549	79472	30956		
	7500	84.2	66.2	265345	183931	22014	252318	179473	23805	240436	175015	26104	226640	172043	28708	219184	169071	30130	211387	166099	31635	
			82	69	265846	152844	22028	252788	148519	23820	247358	147077	26321	233173	143450	28950	225520	140567	30387	217524	139125	31907
			67	261855	171198	21934	249009	167483	23716	237294	163025	26006	223671	159310	28597	216304	157081	30013	208595	154109	31511	
			65	257283	185995	21826	244678	181908	23598	227039	175221	25679	213968	171135	28230	206881	168906	29624	199455	165934	31099	
			63	252711	200791	21718	240346	196333	23480	216784	187417	25352	204265	182959	27863	197458	180730	29235	190316	177758	30686	
		80	69	262277	135811	21945	249406	131618	23728	244100	130221	26218	230100	127426	28835	222541	124631	30265	214640	123233	31778	
			67	258365	158466	21853	245700	155493	23628	234152	151035	25907	220703	146577	28486	213424	145091	29896	205803	142119	31387	
			65	253755	173262	21743	241332	169547	23507	223912	162860	25578	211010	158402	28117	204009	156916	29504	196670	153944	30972	
		78	63	249145	188059	21633	236964	183601	23387	213672	174685	25249	201318	170227	27747	194595	168741	29112	187537	165768	30557	
			69	258329	119777	21852	245664	116385	23626	240491	115038	26103	226694	111696	28706	219238	109651	30128	211440	107656	31633	
67			254522	143693	21762	242056	140070	23528	230692	136417	25795	217433	132051	28361	210250	129883	29763	202727	127685	31246		
76		65	250225	159509	21659	237984	155469	23415	220777	149556	25475	208044	145144	28001	201128	142946	29381	193875	140732	30841		
	63	245929	175326	21556	233911	170868	23301	210863	162695	25155	198655	158237	27641	192007	156008	29000	185024	153779	30437			
	69	254381	103743	21758	241922	101151	23524	236883	99855	25987	223288	95967	28577	215935	94671	29991	208240	92079	31488			
8325	84.2	66.2	271043	191949	22147	257712	188650	23949	245550	183702	26266	231466	180403	28889	223865	177104	30322	215920	175455	31838		
		82	69	270548	159474	22138	257238	155498	23939	251645	153897	26456	237214	149872	29101	229438	148272	30547	221317	145071	32076	
		67	266938	179108	22053	253822	174984	23846	241860	170860	26151	227981	166737	28760	220484	164262	30186	212645	162613	31694		
		65	262898	194653	21958	249997	190117	23742	232001	183931	25839	218660	179807	28410	211435	176921	29815	203871	174597	31301		
		63	258858	210198	21863	246171	205249	23639	222141	197002	25527	209338	192878	28060	202386	189579	29444	195097	186581	30908		
	80	69	266413	142131	22042	253322	137478	23834	247873	135926	26337	233659	132824	28969	225992	131273	30407	217981	128170	31928		
		67	262834	166266	21959	249933	161317	23743	238170	158018	26036	224497	153070	28631	217104	151421	30049	209370	149771	31549		
		65	258930	181398	21866	246236	176450	23641	228486	170677	25727	215337	166553	28284	208210	164079	29681	200745	162430	31160		
	78	63	255026	196531	21773	242539	191583	23540	218802	183335	25418	206178	180037	27937	199317	176738	29314	192120	175088	30770		
		69	262228	125054	21943	249358	121288	23727	244052	119793	26216	230054	116803	28833	222496	114589	30263	214595	112319	31775		
		67	258756	149724	21862	246069	145669	23638	234502	142438	25918	221033	137592	28499	213743	135977	29909	206112	134361	31401		
	76	65	254960	166294	21771	242473	162205	23538	224967	156466	25612	212009	151981	28155	204979	149936	29544	197611	147891	31014		
63		251163	182865	21680	238876	178741	23438	215432	170494	25306	202985	166370	27811	196215	163896	29180	189110	161422	30628			
69		258043	107976	21845	245393	105099	23619	240230	103660	26095	226448	100783	28697	219000	97905	30119	211210	96467	31623			
76	67	254679	133182	21766	242205	130020	23532	230834	126858	25800	217568	122114	28366	210382	120533	29768	202855	118952	31252			
	65	250990	151190	21677	238709	147960	23435	221448	142255	25497	208681	137409	28026	201748	135793	29407	194477	133353	30869			
	63	247301	169198	21588	235213	165899	23337	212062	157652	25194	199793	152703	27685	193114	151054	29046	186100	147755	30487			

UNIT SPECIFICATIONS COOLING PERFORMANCE DATA FOR 25TR.

Model	Evaporator CFM	Dry Bulb Temp. F	Wet Bulb Temp. F	85F			95F			105F			115F			120F			125F				
				Capacity Btuh	Sensible capacity Btuh	Power Input Watt	Capacity Btuh	Sensible capacity Btuh	Power Input Watt	Capacity Btuh	Sensible capacity Btuh	Power Input Watt	Capacity Btuh	Sensible capacity Btuh	Power Input Watt	Capacity Btuh	Sensible capacity Btuh	Power Input Watt	Capacity Btuh	Sensible capacity Btuh	Power Input Watt		
3RTH300	6750	84.2	66.2	285466	181586	25473	269982	176237	27589	255376	170887	30360	238748	165538	33436	229857	162863	35089	220615	158851	36817		
				82	69	286485	151833	25498	270948	146643	27615	263681	144047	30632	246587	139486	33738	237459	136891	35407	227976	133667	37153
					67	281135	169458	25361	265869	164778	27469	251471	159428	30228	235062	154078	33289	226283	151404	34933	217155	148060	36652
					65	275264	180814	25209	260295	178094	27305	239243	170070	29812	223501	164386	32825	215065	161711	34443	206285	158368	36133
		63	269394	192169	25056	254721	191411	27141	227015	180712	29397	211940	174694	32361	203846	172019	33952	195415	168675	35615			
		80	69	282040	136065	25384	266728	131034	27493	259606	128518	30495	242745	124745	33586	233735	122230	35247	224372	118456	36984		
			67	276804	157330	25250	261756	153318	27349	247566	147969	30095	231376	142619	33141	222709	139944	34777	213695	137269	36488		
			65	271388	169222	25108	256613	166635	27196	235799	158611	29694	220247	153261	32692	211908	150586	34303	203227	147243	35985		
		63	265973	181114	24967	251470	179952	27044	224032	169253	29292	209118	163903	32244	201107	161228	33828	192759	157216	35483			
		78	69	277580	121132	25268	262491	116284	27369	255513	114443	30356	238883	110223	33432	229992	107799	35084	220749	104746	36812		
			67	272464	143089	25137	257632	139160	27227	243649	133921	29961	227676	128683	32991	219120	126063	34619	210219	123444	36320		
			65	267165	157419	24998	252599	153492	27077	232049	145857	29562	216700	140563	32546	208466	137916	34147	199892	134934	35821		
	63	261866	171748	24858	247565	167824	26927	220448	157793	29164	205724	152444	32101	197812	149769	33676	189564	146425	35322				
	76	69	273120	106200	25153	258255	101534	27244	251421	100368	30218	235022	95702	33277	226248	93369	34921	217125	91036	36640			
		67	268124	128849	25024	253508	125002	27106	239731	119874	29826	223975	114746	32841	215532	112182	34460	206743	109618	36152			
		65	262942	145616	24887	248584	140349	26958	228298	133104	29431	213153	127865	32399	205024	125246	33992	196556	122626	35657			
		63	257759	162383	24750	243660	155696	26811	216864	146334	29037	202331	140984	31958	194516	138310	33525	186368	135635	35162			
	9375	84.2	66.2	305476	216159	25978	288968	212444	28130	273386	206872	30957	255736	201299	34098	246323	197584	35787	236552	195727	37554		
				82	69	304891	179588	25965	288409	175110	28116	280526	172379	31189	262464	166973	34355	252842	165170	36058	242858	161566	37840
					67	300510	201698	25853	284256	197054	27997	268917	191481	30810	251521	186838	33935	242239	183123	35616	232599	181265	37373
					65	295697	219203	25730	279692	214095	27865	257323	205737	30425	240578	200628	33507	231628	197033	35164	222326	192905	36895
		63	290885	236709	25607	275128	231137	27733	245729	219992	30040	229634	214419	33079	221017	210943	34712	212052	204545	36418			
		80	69	299850	160058	25838	283628	154817	27980	275916	153070	31038	258122	147830	34188	248636	146083	35882	238790	142589	37654		
			67	295544	187236	25729	279543	181664	27863	264448	176091	30663	247307	172376	33773	238154	168661	35444	228647	166804	37192		
			65	290892	204278	25608	275132	198705	27734	253069	190346	30282	236564	185703	33349	227736	182916	34996	218559	180130	36719		
		63	286241	221319	25488	270721	215746	27605	241690	204601	29901	225820	199029	32925	217318	197171	34549	208471	193456	36246			
		78	69	294822	140826	25709	278857	136586	27842	271315	134092	30884	253786	129852	34018	244435	127358	35703	234726	124801	37464		
			67	290638	168608	25603	274889	163151	27728	260033	158584	30514	243143	154056	33607	234119	151308	35269	224741	148598	37007		
			65	286113	187268	25485	270596	181754	27601	248837	174362	30137	232568	169312	33187	223862	166544	34826	214807	163797	36538		
	63	281588	205929	25367	266303	200356	27475	237641	190140	29760	221993	184567	32768	213605	181781	34382	204874	178995	36070				
	76	69	289793	121594	25580	274086	118354	27704	266713	115114	30731	249450	111874	33847	240234	108634	35523	230663	107014	37275			
		67	285733	149980	25477	270234	144638	27593	255618	141077	30365	238979	135735	33441	230083	133955	35094	220835	130393	36822			
		65	281334	170259	25362	266059	164802	27469	244604	158378	29992	228572	152921	33026	219988	150173	34655	211056	147463	36358			
		63	276935	190538	25247	261885	184966	27345	233591	175678	29620	218166	170106	32610	209892	166391	34216	201277	164533	35894			
	10406	84.2	66.2	309925	231684	26091	293186	225498	28250	277382	221375	31089	259501	215190	34245	249970	213128	35942	240080	211066	37717		
				82	69	309022	190367	26069	292326	186366	28227	284301	183335	31313	266021	179334	34492	256287	176364	36202	246190	173333	37991
67					304929	214601	25964	288448	209447	28115	272892	205323	30940	255269	199138	34079	245871	197076	35768	236114	193983	37533	
65					300299	233516	25846	284057	227847	27989	261390	221146	30560	244416	212616	33658	235348	208341	35323	225928	203978	37064	
63		295669	252432	25729	279667	246247	27863	249888	236969	30181	233562	226095	33237	224826	219606	34878	215741	213972	36594				
80		69	303827	167965	25939	287398	164087	28088	279551	162148	31159	261546	158270	34322	251952	154392	36023	241998	152453	37802			
		67	299932	197518	25837	283709	193395	27979	268401	189271	30791	251038	183086	33914	241771	181024	35593	232149	176900	37349			
		65	295420	216434	25722	279435	211279	27856	257081	205094	30415	240352	198909	33497	231410	195816	35153	222116	192723	36884			
63		290929	235349	25608	275162	229164	27733	245760	220917	30040	229665	214731	33080	221048	210608	34712	212083	208546	36419				
78		69	298691	147869	25808	282527	144132	27948	274854	142263	31002	257121	138526	34148	247666	134789	35840	237852	132920	37610			
		67	294841	178043	25708	278877	174005	27841	263818	168979	30639	246714	163909	33745	237581	161890	35415	228093	157852	37161			
		65	290499	198670	25596	274759	193558	27721	252717	186406	30268	236233	181294	33333	227416	178223	34979	218250	175173	36701			
63	286157	219297	25484	270641	213112	27601	241617	203834	29897	225751	198680	32920	217252	194556	34543	208406	192494	36240					
76	69	293555	127774	25677	277655	124177	27807	270157	122379	30846	252696	118782	33975	243379	115186	35657	233706	113388	37417				
	67	289749	158568	25579	274045	154615	27703	259234	148686	30486	242391	144733	33576	233390	142757	35237	224037	138804	36973				
	65	285571	180907	25470	270082	175838	27586	248354	167719	30120	232114	163680	33168	223423	160630	34806	214383	157623	36517				
	63	281394	203245	25361	266119	197060	27468	237474	186751	29753	221838	182628	32760	213455	178504	34374	204730	176442	36061				

UNIT SPECIFICATIONS

FAN PERFORMANCE DATA FOR 5TR - 10TR UNITS

MODEL 3RTH060GC1																
External static pressure (inch of WG)																
Air flow	0.2		0.4		0.6		0.8		1.0		1.2		1.4		1.6	
(cfm)	RPM	BHP	RPM	BHP	RPM	BHP	RPM	BHP	RPM	BHP	RPM	BHP	RPM	BHP	RPM	BHP
1600	1025	0.45	1100	0.56	1192	0.62	1260	0.70	1315	0.80	1400	0.80	1461	1.00	1537	1.15
1875	1031	0.59	1116	0.68	1196	0.74	1266	0.86	1322	0.96	1405	1.06	1459	1.19	1540	1.26
2000	1035	0.65	1126	0.72	1198	0.80	1270	0.92	1324	1.05	1406	1.15	1468	1.25	1541	1.33
2200	1050	0.76	1134	0.86	1210	0.90	1274	1.05	1331	1.20	1409	1.32	1470	1.42	1544	1.46
2400	1075	0.90	1151	1.00	1215	1.10	1283	1.22	1336	1.30	1411	1.40	1476	1.52	1548	1.65
2600	1100	1.10	1176	1.20	1230	1.25	1300	1.35	1351	1.45	1419	1.62	1481	1.71	1553	1.80
2800	1125	1.25	1201	1.40	1245	1.40	1322	1.52	1376	1.66	1431	1.80	1491	1.85	1560	2.00
3000	1160	1.40	1226	1.50	1280	1.65	1345	1.75	1402	1.85	1451	2.00	1500	2.15	1566	2.25
3200	1200	1.62	1251	1.75	1310	1.85	1370	1.92	1421	2.15	1471	2.25	1512	2.35	1572	2.50

MODEL 3RTH072GC1																
External static pressure (inch of WG)																
Air flow	0.2		0.4		0.6		0.8		1.0		1.2		1.4		1.6	
(cfm)	RPM	BHP	RPM	BHP	RPM	BHP	RPM	BHP	RPM	BHP	RPM	BHP	RPM	BHP	RPM	BHP
1600	1025	0.45	1100	0.56	1192	0.62	1260	0.70	1315	0.80	1400	0.80	1461	1.00	1537	1.15
1800	1028	0.56	1110	0.65	1195	0.70	1264	0.83	1320	0.90	1404	1.00	1454	1.15	1539	1.22
2000	1035	0.65	1126	0.72	1198	0.80	1270	0.92	1324	1.05	1406	1.15	1468	1.25	1541	1.33
2250	1056	0.80	1138	0.90	1211	0.95	1276	1.09	1332	1.23	1410	1.34	1472	1.45	1545	1.51
2400	1075	0.90	1151	1.00	1215	1.10	1283	1.22	1336	1.30	1411	1.40	1476	1.52	1548	1.65
2600	1100	1.10	1176	1.20	1230	1.25	1300	1.35	1351	1.45	1419	1.62	1481	1.71	1553	1.80
2800	1125	1.25	1201	1.40	1245	1.40	1322	1.52	1376	1.66	1431	1.80	1491	1.85	1560	2.00
3000	1160	1.40	1226	1.50	1280	1.65	1345	1.75	1402	1.85	1451	2.00	1500	2.15	1566	2.25
3200	1200	1.62	1251	1.75	1310	1.85	1370	1.92	1421	2.15	1471	2.25	1512	2.35	1572	2.50

MODEL 3RTH090GC1																				
External static pressure (inch of WG)																				
Air flow	0.2		0.4		0.6		0.8		1.0		1.2		1.4		1.6		1.8		2.0	
(cfm)	RPM	BHP	RPM	BHP	RPM	BHP	RPM	BHP	RPM	BHP	RPM	BHP	RPM	BHP	RPM	BHP	RPM	BHP	RPM	BHP
2400	706	0.66	770	0.79	834	0.92	886	1.08	938	1.24	988	1.39	1036	1.52	1084	1.66	1102	1.85	1119	2.04
2600	708	0.72	772	0.85	836	0.98	888	1.14	940	1.30	990	1.45	1038	1.60	1086	1.74	1104	1.95	1123	2.16
2812	710	0.77	774	0.90	838	1.04	890	1.20	942	1.36	992	1.52	1040	1.67	1088	1.82	1107	2.04	1126	2.27
3000	712	0.82	776	0.96	840	1.10	892	1.26	944	1.42	994	1.58	1042	1.74	1090	1.90	1110	2.14	1130	2.38
3200	714	0.91	778	1.04	842	1.18	894	1.35	946	1.52	996	1.68	1044	1.85	1092	2.02	1112	2.25	1133	2.48
3400	716	1.00	780	1.13	844	1.26	896	1.44	948	1.61	998	1.79	1046	1.96	1094	2.14	1115	2.36	1136	2.59
3600	718	1.08	782	1.21	846	1.34	898	1.52	950	1.71	1000	1.89	1048	2.08	1096	2.26	1117	2.48	1138	2.69
3800	720	1.17	784	1.30	848	1.42	900	1.61	952	1.80	1002	2.00	1050	2.19	1098	2.38	1120	2.59	1141	2.80
4000	722	1.26	786	1.38	850	1.50	902	1.70	954	1.90	1004	2.10	1052	2.30	1100	2.50	1122	2.70	1144	2.90

MODEL 3RTH120GC2																				
External static pressure (inch of WG)																				
Air flow	0.2		0.4		0.6		0.8		1.0		1.2		1.4		1.6		1.8		2.0	
(cfm)	RPM	BHP	RPM	BHP	RPM	BHP	RPM	BHP	RPM	BHP	RPM	BHP	RPM	BHP	RPM	BHP	RPM	BHP	RPM	BHP
3200	746	0.98	810	1.11	868	1.26	920	1.43	972	1.60	1020	1.77	1068	1.94	1102	2.14	1123	2.37	1143	2.60
3400	748	1.06	812	1.19	870	1.35	922	1.52	974	1.70	1022	1.88	1070	2.05	1104	2.25	1125	2.48	1146	2.70
3600	750	1.15	814	1.28	872	1.43	924	1.62	976	1.80	1024	1.98	1072	2.17	1107	2.37	1128	2.58	1149	2.80
3750	752	1.21	816	1.34	874	1.50	926	1.69	978	1.88	1026	2.06	1074	2.25	1109	2.45	1130	2.66	1151.25	2.88
4000	754	1.32	818	1.44	876	1.60	928	1.80	980	2.00	1028	2.20	1076	2.40	1111	2.60	1133	2.80	1155	3.00
4250	756	1.44	820	1.57	878	1.74	930	1.95	982	2.16	1031	2.38	1080	2.59	1114	2.78	1135	2.94	1156	3.10
4400	758	1.55	822	1.70	880	1.89	932	2.10	984	2.32	1034	2.55	1083	2.78	1118	2.96	1137	3.08	1157	3.20
4600	760	1.67	824	1.84	882	2.03	934	2.26	986	2.48	1036	2.73	1087	2.98	1121	3.14	1140	3.22	1158	3.30
4800	762	1.78	826	1.97	884	2.18	936	2.41	988	2.64	1039	2.90	1090	3.17	1125	3.32	1142	3.36	1159	3.40

NOTE

ABOVE DATA INCLUDES THE LOSSES THROUGH WET COIL AND CASING
 AREAS SHADED INDICATE OPERATING RANGE INSIDE THE STANDARD MOTOR.
 IF BHP IS EXCEEDING THAN THE STANDARD MOTOR THEN HIGHER CAPACITY MOTOR CAN BE PROVIDED AS AN OPTION.
 BOLD FONT IN RPM COLUMN INDICATE BLOWER SPEED WITH FACTORY SETTING.

UNIT SPECIFICATIONS

FAN PERFORMANCE DATA FOR 12.5TR - 18TR UNITS

MODEL 3RTH150GC2																				
External static pressure (inch of WG)																				
Air flow	0.2		0.4		0.6		0.8		1.0		1.2		1.4		1.6		1.8		2.0	
(cfm)	RPM	BHP	RPM	BHP	RPM	BHP	RPM	BHP	RPM	BHP	RPM	BHP	RPM	BHP	RPM	BHP	RPM	BHP	RPM	BHP
3600	750	1.15	814	1.28	872	1.43	924	1.62	976	1.80	1024	1.98	1072	2.17	1107	2.37	1128	2.58	1149	2.80
3800	752	1.23	816	1.36	874	1.52	926	1.71	978	1.90	1026	2.09	1074	2.28	1109	2.48	1130	2.69	1152	2.90
4000	754	1.32	818	1.44	876	1.60	928	1.80	980	2.00	1028	2.20	1076	2.40	1111	2.60	1133	2.80	1155	3.00
4200	756	1.44	820	1.57	878	1.74	930	1.95	982	2.16	1031	2.38	1080	2.59	1114	2.78	1135	2.98	1146	3.18
4400	758	1.55	822	1.70	880	1.89	932	2.10	984	2.32	1034	2.55	1083	2.78	1118	2.96	1137	3.19	1157	3.40
4600	760	1.67	824	1.84	882	2.03	934	2.26	986	2.48	1036	2.73	1087	2.98	1121	3.20	1140	3.40	1158	3.60
4800	762	1.78	826	1.97	884	2.18	936	2.41	988	2.64	1039	2.90	1090	3.17	1125	3.38	1142	3.61	1159	3.85
5000	764	1.90	828	2.10	886	2.32	938	2.56	990	2.80	1042	3.08	1094	3.36	1128	3.60	1144	3.88	1160	4.15
5200	766	2.02	830	2.23	888	2.46	940	2.71	992	2.96	1045	3.26	1098	3.55	1131	3.90	1146	4.20	1161	4.55
5500	770	2.25	834	2.50	892	2.75	944	3.02	996	3.28	1050	3.61	1105	3.94	1138	4.29	1151	4.60	1163	4.95
5700	774	2.50	838	2.75	896	3.05	948	3.32	1000	3.60	1055	3.96	1112	4.30	1145	4.66	1157	5.00	1165	5.35
5900	778	2.72	842	3.00	900	3.30	962	3.60	1004	3.92	1060	4.32	1119	4.65	1152	5.00	1162	5.38	1167	5.75

MODEL 3RTH180GC2																				
External static pressure (inch of WG)																				
Air flow	0.2		0.4		0.6		0.8		1.0		1.2		1.4		1.6		1.8		2.0	
(cfm)	RPM	BHP	RPM	BHP	RPM	BHP	RPM	BHP	RPM	BHP	RPM	BHP	RPM	BHP	RPM	BHP	RPM	BHP	RPM	BHP
4400	700	1.75	750	1.95	795	2.25	820	2.35	880	2.75	910	2.95	960	3.20	1000	3.50	1030	3.90	1070	4.10
4600	710	1.83	760	2.10	805	2.40	830	2.50	890	2.85	915	3.10	970	3.30	1005	3.60	1040	4.00	1074	4.20
4800	725	2.00	780	2.25	810	2.50	850	2.70	900	3.00	925	3.25	975	3.50	1010	3.90	1050	4.10	1078	4.50
5000	735	2.20	790	2.50	820	2.60	860	2.90	905	3.20	930	3.40	980	3.70	1013	4.00	1060	4.20	1082	4.80
5200	740	2.30	795	2.60	825	2.80	865	3.00	910	3.40	935	3.50	985	3.95	1018	4.10	1062	4.40	1086	5.10
5400	750	2.50	800	2.75	830	2.95	875	3.25	915	3.50	945	3.80	990	4.20	1022	4.25	1065	4.75
5625	768	2.73	806	2.93	837	3.19	884	3.53	921	3.78	953	4.05	996	4.41	1027	4.65	1076	4.94
5800	785	2.90	810	3.15	850	3.50	895	3.75	930	4.00	970	4.40	1000	4.50	1030	5.00	1080	5.20
6000	800	3.25	820	3.40	870	3.70	900	4.00	945	4.35	980	4.70	1010	4.90	1040	5.10
6200	810	3.35	830	3.50	880	3.90	910	4.20	955	4.50	990	4.90	1020	5.20	1050	5.50
6400	820	3.50	840	3.90	895	4.15	925	4.50	960	4.60	1000	5.00	1030	5.50	1060	5.80
6600	830	3.75	850	4.00	900	4.50	930	4.75	975	5.00	1010	5.40	1035	5.90	1070	6.00
6800	840	4.00	860	4.10	913	4.85	943	5.00	982	5.40	1020	5.80	1045	6.30	1080	6.20
7000	850	4.25	870	4.20	923	5.20	953	5.23	992	5.80	1030	6.20	1054	6.70	1090	6.40

MODEL 3RTH216GC2																				
External static pressure (inch of WG)																				
Air flow	0.2		0.4		0.6		0.8		1.0		1.2		1.4		1.6		1.8		2.0	
(cfm)	RPM	BHP	RPM	BHP	RPM	BHP	RPM	BHP	RPM	BHP	RPM	BHP	RPM	BHP	RPM	BHP	RPM	BHP	RPM	BHP
5200	700	2.10	745	2.40	795	2.70	815	2.90	870	3.15	905	3.50	940	3.70	980	4.00	1010	4.20	1050	4.50
5400	710	2.30	760	2.55	800	2.85	835	3.00	880	3.30	910	3.60	950	4.00	990	4.20	1020	4.40	1055	4.70
5600	715	2.50	770	2.70	805	3.00	845	3.25	890	3.50	915	3.75	955	4.10	995	4.40	1025	4.60	1060	5.00
5800	718	2.60	780	2.90	808	3.10	850	3.30	895	3.70	920	4.00	960	4.30	998	4.50	1030	4.80	1065	5.10
6000	730	2.75	790	3.00	815	3.30	860	3.55	900	3.95	925	4.20	965	4.50	1000	4.80	1033	5.00	1070	5.50
6200	760	3.10	805	3.40	835	3.60	870	3.95	910	4.25	950	4.50	980	4.90	1010	5.15	1040	5.50	1080	6.00
6400	770	3.20	808	3.55	850	3.80	885	4.00	915	4.50	960	4.75	990	5.00	1020	5.40	1050	5.90
6600	790	3.50	815	3.80	860	4.05	900	4.40	930	4.65	970	5.00	1000	5.50	1030	5.90	1060	6.20
6750	794	3.65	826	3.95	870	4.24	904	4.55	938	4.88	978	5.19	1002	5.80	1034	5.98	1068	6.43
7000	810	3.90	845	4.15	885	4.50	910	4.85	950	5.10	985	5.50	1008	6.10	1050	6.50	1075	6.80
7200	825	4.10	850	4.45	890	4.90	915	5.00	960	5.50	990	6.00	1015	6.40	1055	6.70	1080	7.10
7400	845	4.35	860	4.65	895	5.30	925	5.40	970	5.90	995	6.30	1020	6.70	1060	7.00
7600	855	4.60	870	4.98	900	5.40	930	5.80	980	6.25	1000	6.70	1030	7.00	1065	7.20
7800	860	4.85	880	5.20	905	5.80	940	6.10	985	6.50	1004	6.95	1040	7.20	1070	7.38
8000	870	5.00	890	5.50	910	6.00	950	6.40	990	6.80	1010	7.10	1050	7.30	1075	7.50

NOTE
 ABOVE DATA INCLUDES THE LOSSES THROUGH WET COIL AND CASING
 AREAS SHADED INDICATE OPERATING RANGE INSIDE THE STANDARD MOTOR.
 IF BHP IS EXCEEDING THAN THE STANDARD MOTOR THEN HIGHER CAPACITY MOTOR CAN BE PROVIDED AS AN OPTION.
 BOLD FONT IN RPM COLUMN INDICATE BLOWER SPEED WITH FACTORY SETTING.

UNIT SPECIFICATIONS

FAN PERFORMANCE DATA FOR 20TR - 25TR UNITS

MODEL 3RTH240GC2																				
External static pressure (inch of WG)																				
Air flow	0.2		0.4		0.6		0.8		1.0		1.2		1.4		1.6		1.8		2.0	
(cfm)	RPM	BHP	RPM	BHP	RPM	BHP	RPM	BHP	RPM	BHP	RPM	BHP	RPM	BHP	RPM	BHP	RPM	BHP	RPM	BHP
6000	775	2.00	830	2.35	884	2.64	938	2.97	983	3.30	1046	3.70	1093	4.00	1142	4.40	1186	4.80	1229	5.12
6200	779	2.12	834	2.43	888	2.76	943	3.07	987	3.43	1048	3.80	1096	4.16	1144	4.56	1188	4.96	1231	5.28
6400	787	2.25	846	2.63	896	2.91	950	3.21	1000	3.56	1050	3.93	1100	4.40	1146	4.72	1190	5.08	1233	5.44
6600	795	2.43	851	2.75	907	3.07	953	3.39	1003	3.73	1053	4.12	1102	4.53	1148	4.88	1192	5.28	1235	5.64
6800	800	2.50	857	2.84	910	3.17	957	3.50	1006	3.83	1056	4.25	1104	4.65	1150	5.04	1194	5.41	1237	5.76
7000	804	2.63	861	2.93	914	3.28	960	3.60	1010	3.96	1058	4.34	1106	4.79	1152	5.20	1196	5.56	1239	5.92
7200	807	2.70	863	3.03	918	3.42	962	3.71	1013	4.13	1060	4.52	1108	4.95	1154	5.36	1198	5.68	1240	6.16
7400	814	2.87	867	3.15	920	3.57	967	3.89	1016	4.30	1062	4.69	1110	5.08	1158	5.51	1200	5.88	1242	6.32
7500	817.5	2.935	870.5	3.225	922	3.63	968.5	3.965	1017	4.375	1064	4.775	1111	5.165	1159	5.575	1201	5.95	1243	6.41
7600	821	3.00	874	3.30	923	3.69	970	4.04	1018	4.45	1066	4.86	1112	5.25	1160	5.64	1202	6.02	1244	6.49
7800	828	3.15	878	3.53	927	3.84	976	4.22	1022	4.62	1069	5.04	1114	5.41	1162	5.80	1204	6.22	1246	6.74
8000	835	3.27	885	3.61	933	3.96	983	4.36	1028	4.80	1075	5.21	1119	5.58	1164	5.96	1206	6.45	1248	6.94
8200	850	3.46	903	3.88	943	4.19	990	4.63	1036	5.04	1082	5.39	1123	5.75	1166	6.23	1208	6.73	1250	7.20
8400	855	3.61	906	4.00	946	4.38	1000	4.81	1038	5.18	1085	5.65	1126	5.96	1169	6.46	1210	7.01	1254	7.42
8600	860	3.77	912	4.19	953	4.57	1003	5.00	1044	5.36	1091	5.74	1128	6.17	1172	6.68	1212	7.24	1257	7.66
8800	866	3.96	915	4.25	964	4.72	1006	5.09	1047	5.51	1094	5.91	1130	6.41	1175	6.86	1214	7.35	1260	7.83
9000	880	4.15	925	4.50	968	4.95	1011	5.36	1053	5.73	1098	6.18	1138	6.64	1177	7.16	1216	7.60	1263	8.11
9200	883	4.35	931	4.76	975	5.14	1017	5.54	1059	5.91	1105	6.48	1144	6.94	1183	7.37	1218	7.82	1266	8.33
9400	893	4.55	937	4.95	979	5.33	1023	5.72	1064	6.13	1111	6.72	1147	7.17	1186	7.62	1221	8.05	1269	8.55
9600	900	4.75	945	5.17	987	5.52	1029	5.91	1073	6.43	1114	6.96	1150	7.41	1191	7.85	1227	8.34	1272	8.77
9800	914	5.00	958	5.38	1000	5.80	1041	6.25	1083	6.75	1122	7.21	1164	7.64	1200	8.08	1237	8.62	1275	9.08

MODEL 3RTH300GC2																				
External static pressure (inch of WG)																				
Air flow	0.2		0.4		0.6		0.8		1.0		1.2		1.4		1.6		1.8		2.0	
(cfm)	RPM	BHP	RPM	BHP	RPM	BHP	RPM	BHP	RPM	BHP	RPM	BHP	RPM	BHP	RPM	BHP	RPM	BHP	RPM	BHP
7000	815	2.68	875	3.00	920	3.35	971	3.71	1016	4.00	1066	4.51	1112	4.92	1156	5.28	1200	5.68	1241	6.05
7200	822	2.81	878	3.15	923	3.50	976	3.85	1020	4.17	1071	4.80	1115	5.06	1159	5.48	1203	5.84	1244	6.27
7400	829	2.93	881	3.30	933	3.64	980	4.00	1025	4.40	1074	4.87	1118	5.22	1162	5.65	1205	6.00	1247	6.51
7600	842	3.11	892	3.46	940	3.82	987	4.18	1031	4.62	1081	4.97	1125	5.38	1168	5.84	1208	6.22	1253	6.75
7800	850	3.27	900	3.61	947	3.96	996	4.40	1037	4.78	1084	5.21	1127	5.58	1170	5.92	1211	6.44	1256	6.97
8000	853	3.38	910	3.80	953	4.18	1000	4.54	1044	4.97	1088	5.36	1129	5.75	1173	6.17	1214	6.66	1259	7.19
8200	871	3.61	916	3.98	966	4.40	1012	4.81	1056	5.15	1098	5.60	1141	5.91	1179	6.45	1219	6.94	1261	7.40
8400	873	3.77	923	4.19	973	4.54	1015	5.00	1060	5.39	1103	5.78	1144	6.17	1183	6.68	1225	7.22	1266	7.67
8600	880	3.92	933	4.38	976	4.77	1018	5.13	1066	5.56	1107	5.95	1147	6.35	1186	6.91	1227	7.44	1269	7.89
8800	886	4.15	935	4.52	980	4.90	1026	5.36	1070	5.74	1111	6.11	1150	6.58	1191	7.14	1231	7.66	1270	8.05
9000	902	4.34	943	4.76	990	5.09	1033	5.54	1076	5.95	1116	6.36	1158	6.76	1198	7.37	1234	7.88	1273	8.37
9200	906	4.55	950	4.95	997	5.39	1038	5.72	1082	6.18	1122	6.70	1161	7.17	1201	7.62	1236	8.11	1276	8.59
9375	910.375	4.681	953.5	5.116	1001	5.513	1040.625	5.843	1087.25	6.338	1126.375	6.849	1165.375	7.328	1201.875	7.80	1240.375	8.30	1278.625	8.783
9600	920	4.95	961	5.33	1008	5.72	1047	6.12	1094	6.62	1130	7.15	1169	7.64	1207	8.05	1246	8.53	1280	9.02
9800	935	5.20	979	5.60	1020	5.95	1061	6.50	1105	6.96	1144	7.41	1183	7.88	1217	8.40	1255	8.88	1290	9.24
10000	941	5.40	987	5.76	1027	6.19	1068	6.68	1111	7.21	1150	7.67	1189	8.11	1225	8.51	1260	9.00	1295	9.46
10200	950	5.56	994	5.96	1033	6.51	1072	7.00	1116	7.45	1155	7.94	1192	8.35	1227	8.80	1265	9.26	1300	9.67
10400	958	5.90	1005	6.30	1039	6.77	1083	7.25	1121	7.78	1159	8.26	1197	8.70	1232	9.08	1267	9.55	1302	10.0
10600	964	6.03	1011	6.59	1050	7.03	1088	7.50	1126	8.03	1163	8.50	1202	8.94	1240	9.31	1275	9.77
10800	976	6.40	1019	6.86	1061	7.29	1100	7.81	1136	8.27	1171	8.74	1210	9.11	1245	9.54

NOTE
 ABOVE DATA INCLUDES THE LOSSES THROUGH WET COIL AND CASING
 AREAS SHADED INDICATE OPERATING RANGE INSIDE THE STANDARD MOTOR.
 IF BHP IS EXCEEDING THAN THE STANDARD MOTOR THEN HIGHER CAPACITY MOTOR CAN BE PROVIDED AS AN OPTION.
 BOLD FONT IN RPM COLUMN INDICATE BLOWER SPEED WITH FACTORY SETTING.

UNIT SPECIFICATIONS

WIRING DIAGRAM FOR 5TR & 6TR UNITS

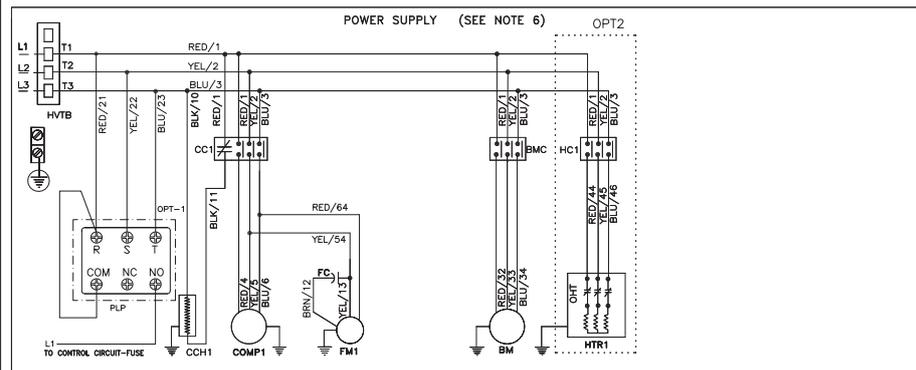
POWER SUPPLY

THIS WIRING DIAGRAM SUITS
208-230 VOLTS / 3 PH / 60 HZ
380-415 V / 3 PH / 50 HZ WITH NEUTRAL
380-400 V / 3 PH / 60 HZ WITH NEUTRAL
460 VOLTS / 3 PH / 60 HZ WITH NEUTRAL
PL REFER UNIT NAME PLATE FOR YOUR UNIT'S
POWER SUPPLY

WIRING DIAGRAM FOR PACKAGE UNITS

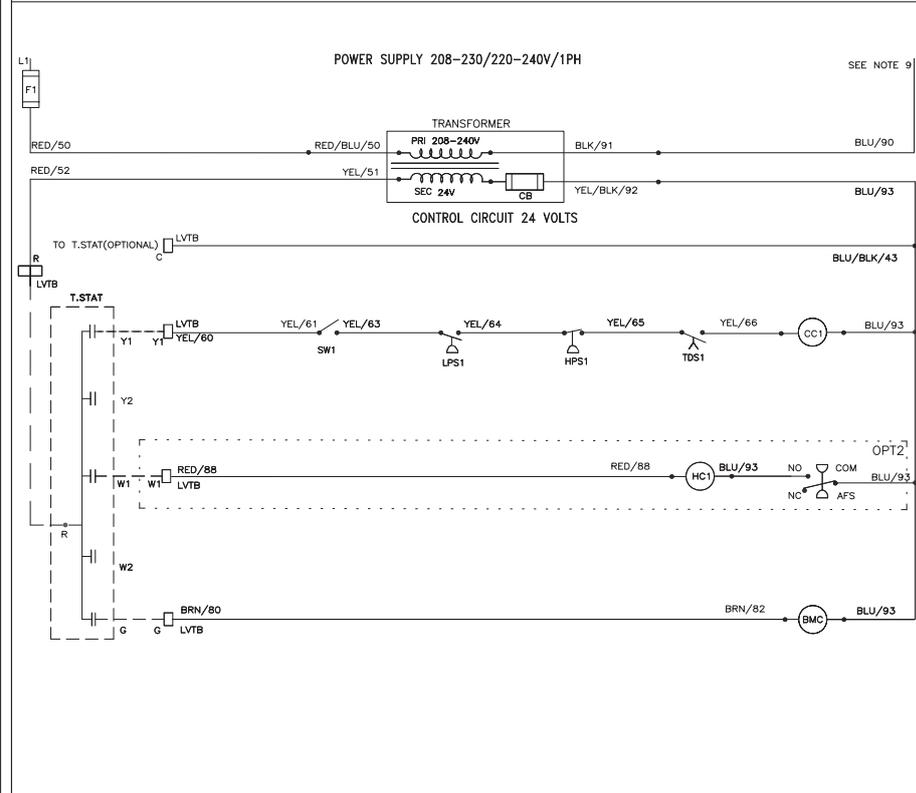
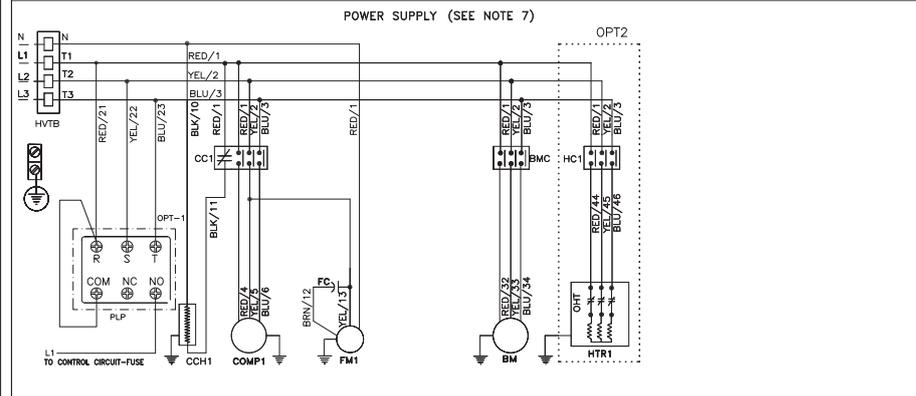
WARNING

THIS UNIT IS BUILT AND WIRED ACCORDING TO COMPANY STANDARDS AND / OR JOB ORDER'S SPECIFICATIONS. ANY UNAUTHORISED CHANGE OR MODIFICATION OR SETTING OF ROOM THERMOSTAT TEMPERATURE BELOW 60°F WILL MAKE WARRANTY NULL & VOID.



LEGEND

- AFS - AIR FLOW SWITCH
- BLK - BLACK
- BLU - BLUE
- BM - BLOWER MOTOR
- BMC - BLOWER MOTOR CONTACTOR
- BRN - BROWN
- CC - COMP CONTACTOR
- CCH - CRANK CASE HEATER
- CB - CIRCUIT BREAKER
- COMP - COMPRESSOR
- F - FUSE
- FC - FAN CAPACITOR
- FM - FAN MOTOR
- FMC - FAN MOTOR CONTACTOR
- FMR - FAN MOTOR RELAY
- HC - HEATER CONTACTOR
- HPS - HIGH PRESSURE SWITCH
- HTR - HEATER
- HVTB - HIGH VOLTAGE TERMINAL BLOCK
- L - LINE
- LPS - LOW PRESSURE SWITCH
- LVTB - LOW VOLTAGE TERMINAL BLOCK
- N - NEUTRAL
- NC - NORMALLY CLOSED
- NO - NORMALLY OPEN
- OHT - OVER HEAT THERMOSTAT
- OPT - OPTIONAL
- PLP - PHASE LOSS PROTECTION
- PRI - PRIMARY
- RED - RED
- SEC - SECONDARY
- SW - SWITCH ON / OFF
- TDS - TIME DELAY SWITCH
- TRANS - TRANSFORMER
- T.STAT - THERMOSTAT
- UVM - UNDER VOLTAGE MONITOR
- YEL - YELLOW
- - - - - FIELD WIRING
- - TERMINAL / SPLICE
- OPTIONAL MARKING
- ⊕ - EARTHING



NOTES

- 1) ANY WIRE REPLACEMENT SHOULD BE OF 90°C TYPE OR EQUIVALENT AND COPPER CONDUCTOR ONLY.
- 2) POWER MUST BE SUPPLIED TO CRANK CASE HEATER FOR A MINIMUM OF 12 HOURS PRIOR TO START UP. IF THE POWER SUPPLY HAS BEEN INTERRUPTED FOR LONGER PERIOD THEN AGAIN CRANK CASE HEATER MUST BE ENERGIZED FOR MINIMUM OF 12 HOURS BEFORE STARTING OF COMPRESSOR.
- 3) FUSED DISCONNECT SWITCH OR CIRCUIT BREAKER TO BE PROVIDED BY THE USER WITH RELEVANT RATING.
- 4) PLEASE ALLOW 2 TO 3 MINUTES BEFORE STARTING OF COMPRESSOR.
- 5) COMPRESSOR IS PROVIDED WITH INTERNAL OVERLOAD PROTECTION.
- 6) POWER CIRCUIT FOR 208-230 V/3PH/60HZ
- 7) POWER CIRCUIT FOR 380-415 V/3PH /50HZ, 380-400 V/3PH/60HZ & 460 V/3PH/60HZ WITH NEUTRAL
- 8) REFER INSTRUCTIONS WITH THE COMPONENTS FOR STAR / DELTA CONNECTIONS
- 9) IF THE POWER SUPPLY IS 230V, CONNECT TO L1
IF THE POWER SUPPLY IS 380V, CONNECT TO N

OPTIONS

- OPT. 1 - PHASE LOSS PROTECTION UNDER VOLTAGE MONITOR
- OPT. 2 - SINGLE STAGE HEATING

WIR. DIA-RTP-1COMP-SPL

C240328

1BC011C15

UNIT SPECIFICATIONS WIRING DIAGRAM FOR 7.5TR UNITS

<p>POWER SUPPLY THIS WIRING DIAGRAM SUITS 208-230 VOLTS / 3 PH / 60 HZ 380-415 V / 3 PH / 50 HZ WITH NEUTRAL 380-400 V / 3 PH / 60 HZ WITH NEUTRAL 460 VOLTS / 3 PH / 60 HZ WITH NEUTRAL PL. REFER UNIT NAME PLATE FOR YOUR UNIT'S POWER SUPPLY</p>	<p style="text-align: center;">WIRING DIAGRAM FOR PACKAGE UNITS</p> <p>WARNING THIS UNIT IS BUILT AND WIRED ACCORDING TO COMPANY STANDARDS AND / OR JOB ORDER'S SPECIFICATIONS. ANY UNAUTHORISED CHANGE OR MODIFICATION OR SETTING OF ROOM THERMOSTAT TEMPERATURE BELOW 60°F WILL MAKE WARRANTY NULL & VOID.</p>
<p style="text-align: center;">POWER SUPPLY (SEE NOTE 6)</p>	<p>LEGEND</p> <ul style="list-style-type: none"> AFS - AIR FLOW SWITCH AUX - AUXILIARY BLK - BLACK BLU - BLUE BM - BLOWER MOTOR BMC - BLOWER MOTOR CONTACTOR BRN - BROWN CC - COMP CONTACTOR CCH - CRANK CASE HEATER CB - CIRCUIT BREAKER COMP - COMPRESSOR F - FUSE FM - FAN MOTOR FMC - FAN MOTOR CONTACTOR HC - HEATER CONTACTOR HM - HOUR METER HPS - HIGH PRESSURE SWITCH HTR - HEATER HVTB - HIGH VOLTAGE TERMINAL BLOCK L - LINE LPS - LOW PRESSURE SWITCH LVTB - LOW VOLTAGE TERMINAL BLOCK N - NEUTRAL NC - NORMALLY CLOSED NO - NORMALLY OPEN OHT - OVER HEAT THERMOSTAT OLR - OVER LOAD RELAY OPT - OPTIONAL PLP - PHASE LOSS PROTECTION PRI - PRIMARY RED - RED SEC - SECONDARY SSPS - SOLID STATE PROTECTION SYS. SW - SWITCH ON/ OFF TDS - TIME DELAY SWITCH TRANS - TRANSFORMER T.STAT - THERMOSTAT UVM - UNDER VOLTAGE MONITOR YEL - YELLOW - - - FIELD WIRING • - TERMINAL / SPLICE ----- OPTIONAL MARKING ⊕ - EARTHING
<p style="text-align: center;">POWER SUPPLY (SEE NOTE 7)</p>	<p>NOTES</p> <ol style="list-style-type: none"> 1) ANY WIRE REPLACEMENT SHOULD BE OF 90°C TYPE OR EQUIVALENT AND COPPER CONDUCTOR ONLY. 2) POWER MUST BE SUPPLIED TO CRANK CASE HEATER FOR A MINIMUM OF 12 HOURS PRIOR TO START UP. IF THE POWER SUPPLY HAS BEEN INTERRUPTED FOR LONGER PERIOD THEN AGAIN CRANK CASE HEATER MUST BE ENERGIZED FOR MINIMUM OF 12 HOURS BEFORE STARTING OF COMPRESSOR. 3) FUSED DISCONNECT SWITCH OR CIRCUIT BREAKER TO BE PROVIDED BY THE USER WITH RELEVANT RATING. 4) PLEASE ALLOW 2 TO 3 MINUTES BEFORE STARTING OF COMPRESSOR. 5) COMPRESSOR IS PROVIDED WITH INTERNAL OVERLOAD PROTECTION. 6) POWER CIRCUIT FOR 208-230/3PH/60HZ 7) POWER CIRCUIT FOR 380-415 V/3PH /50HZ, 380-400 V/3PH/60HZ & 460 V/3PH/60HZ WITH NEUTRAL 8) REFER INSTRUCTIONS WITH THE COMPO NENTS FOR STAR / DELTA CONNECTIONS 9) IF THE POWER SUPPLY IS 230V, CONNECT TO L1 IF THE POWER SUPPLY IS 380V, CONNECT TO N
<p>L1 CONNECT FROM UVM / PLP POWER SUPPLY 208-230/220/240 V / 1PH. L3 OR N</p>	
<p>CONTROL CIRCUIT 24 VOLTS</p> <p>TO T.STAT (OPTIONAL) LVTB</p> <p>TO T.STAT</p>	
<p>OPTIONS</p> <ul style="list-style-type: none"> OPT. 1 - PHASE LOSS PROTECTION UNDER VOLTAGE MONITOR OPT. 2 - SINGLE STAGE HEATING OPT. 3 - INTERNAL MOTOR PROTECTION OPT. 4 - ANTI ICE THERMOSTAT 	
<p>WIR.DIA.RTP.1.COM.3PHFAN-SPL</p> <p>C240332 1BC011C19</p>	

UNIT SPECIFICATIONS

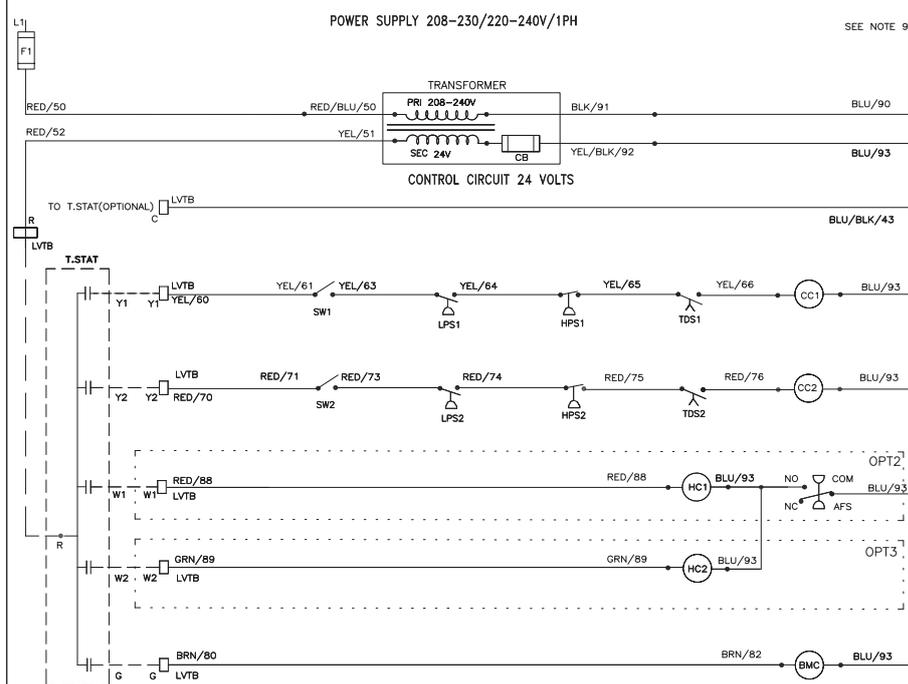
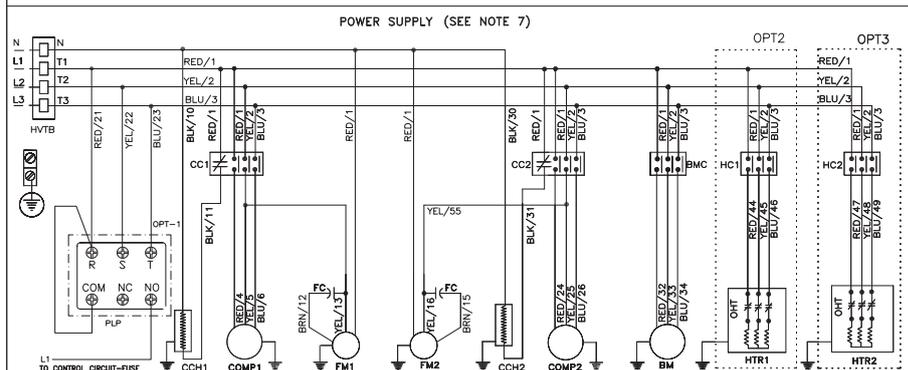
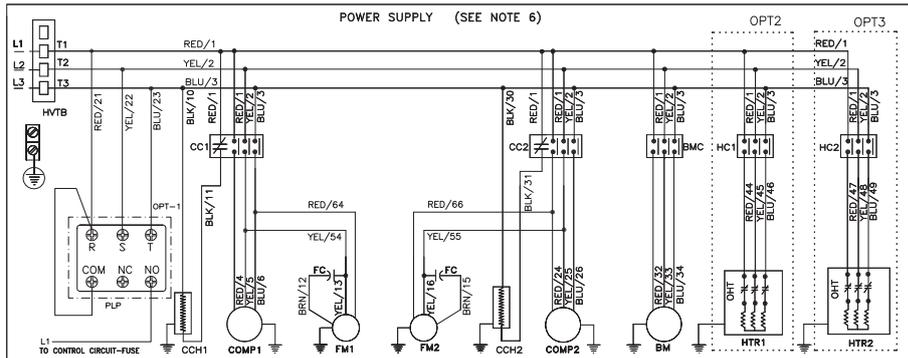
WIRING DIAGRAM FOR 10TR UNITS

POWER SUPPLY
THIS WIRING DIAGRAM SUITS
208-230 VOLTS / 3 PH / 60 HZ
380-415 V / 3 PH / 50 HZ WITH NEUTRAL
380-400 V / 3 PH / 60 HZ WITH NEUTRAL
460 VOLTS / 3 PH / 60 HZ WITH NEUTRAL
PL REFER UNIT NAME PLATE FOR YOUR UNIT'S
POWER SUPPLY

WIRING DIAGRAM FOR PACKAGE UNITS

WARNING

THIS UNIT IS BUILT AND WIRED ACCORDING TO COMPANY STANDARDS AND / OR JOB ORDER'S SPECIFICATIONS. ANY UNAUTHORISED CHANGE OR MODIFICATION OR SETTING OF ROOM THERMOSTAT TEMPERATURE BELOW 60°F WILL MAKE WARRANTY NULL & VOID.



- LEGEND**
- AFS - AIR FLOW SWITCH
 - BLK - BLACK
 - BLU - BLUE
 - BM - BLOWER MOTOR
 - BMC - BLOWER MOTOR CONTACTOR
 - BRN - BROWN
 - CC - COMP CONTACTOR
 - CCH - CRANK CASE HEATER
 - CB - CIRCUIT BREAKER
 - COMP - COMPRESSOR
 - F - FUSE
 - FC - FAN CAPACITOR
 - FM - FAN MOTOR
 - FMC - FAN MOTOR CONTACTOR
 - FMR - FAN MOTOR RELAY
 - HC - HEATER CONTACTOR
 - HPS - HIGH PRESSURE SWITCH
 - HTR - HEATER
 - HVTB - HIGH VOLTAGE TERMINAL BLOCK
 - L - LINE
 - LPS - LOW PRESSURE SWITCH
 - LVTB - LOW VOLTAGE TERMINAL BLOCK
 - N - NEUTRAL
 - NC - NORMALLY CLOSED
 - NO - NORMALLY OPEN
 - OHT - OVER HEAT THERMOSTAT
 - OPT - OPTIONAL
 - PLP - PHASE LOSS PROTECTION
 - PR1 - PRIMARY
 - RED - RED
 - SEC - SECONDARY
 - SW - SWITCH ON / OFF
 - TDS - TIME DELAY SWITCH
 - TRANS- TRANSFORMER
 - T.STAT- THERMOSTAT
 - UVM - UNDER VOLTAGE MONITOR
 - YEL - YELLOW
 - — FIELD WIRING
 - — TERMINAL / SPLICE
 - — OPTIONAL MARKING
 - ⊕ — EARTHING

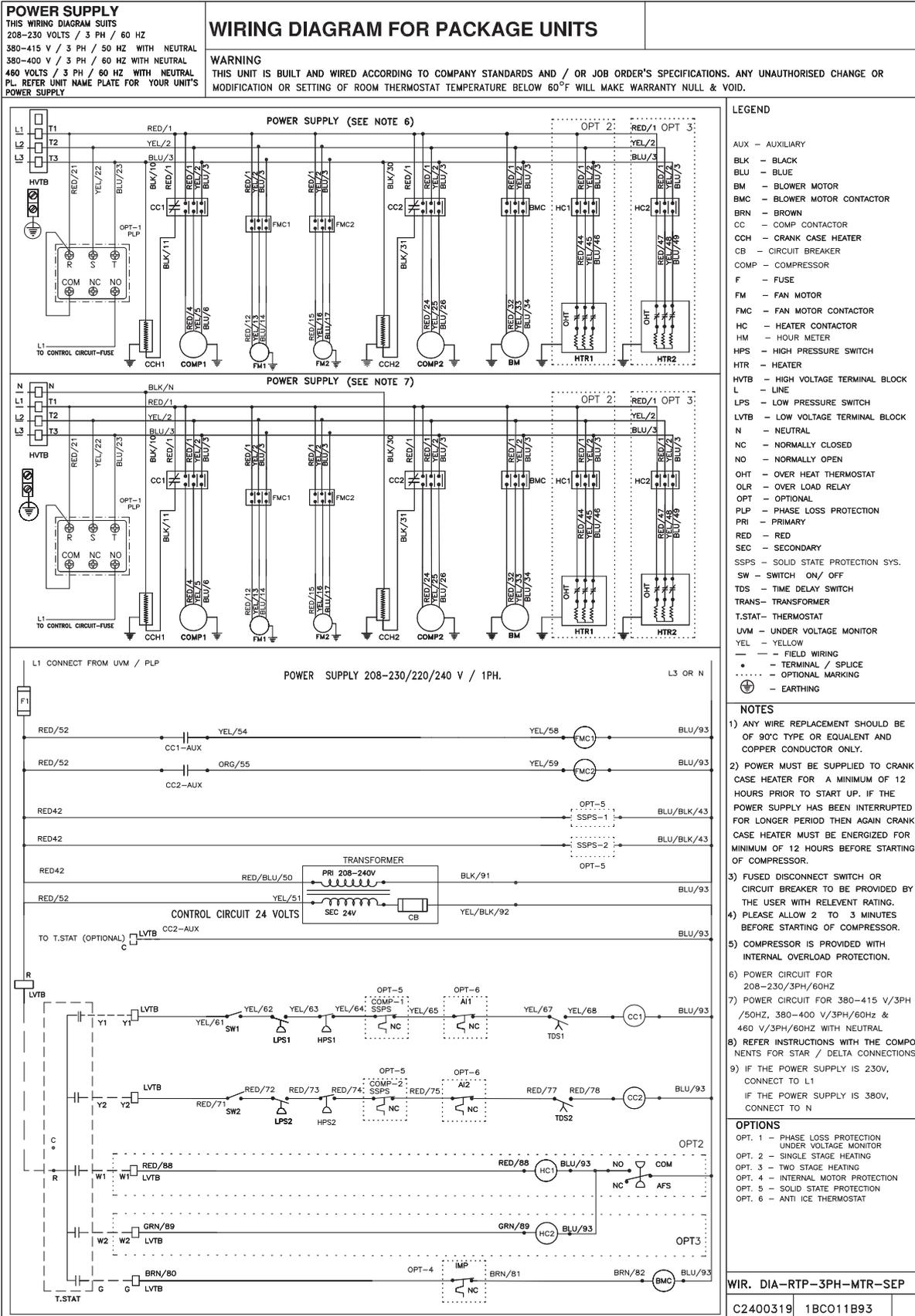
- NOTES**
- 1) ANY WIRE REPLACEMENT SHOULD BE OF 90°C TYPE OR EQUIVALENT AND COPPER CONDUCTOR ONLY.
 - 2) POWER MUST BE SUPPLIED TO CRANK CASE HEATER FOR A MINIMUM OF 12 HOURS PRIOR TO START UP. IF THE POWER SUPPLY HAS BEEN INTERRUPTED FOR LONGER PERIOD THEN AGAIN CRANK CASE HEATER MUST BE ENERGIZED FOR MINIMUM OF 12 HOURS BEFORE STARTING OF COMPRESSOR.
 - 3) FUSED DISCONNECT SWITCH OR CIRCUIT BREAKER TO BE PROVIDED BY THE USER WITH RELEVANT RATING.
 - 4) PLEASE ALLOW 2 TO 3 MINUTES BEFORE STARTING OF COMPRESSOR.
 - 5) COMPRESSOR IS PROVIDED WITH INTERNAL OVERLOAD PROTECTION.
 - 6) POWER CIRCUIT FOR 208-230 V/3PH/60HZ
 - 7) POWER CIRCUIT FOR 380-415 V/3PH /50HZ, 380-400 V/3PH/60HZ & 460 V/3PH/60HZ WITH NEUTRAL
 - 8) REFER INSTRUCTIONS WITH THE COMPONENTS FOR STAR / DELTA CONNECTIONS
 - 9) IF THE POWER SUPPLY IS 230V, CONNECT TO L1
IF THE POWER SUPPLY IS 380V, CONNECT TO N

- OPTIONS**
- OPT. 1 - PHASE LOSS PROTECTION UNDER VOLTAGE MONITOR
 - OPT. 2 - SINGLE STAGE HEATING
 - OPT. 3 - TWO STAGE HEATING

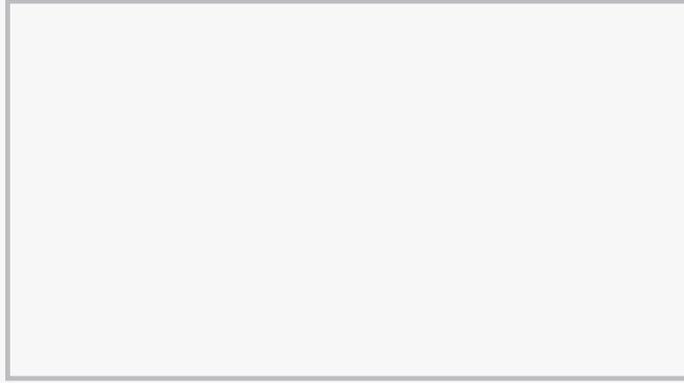
WIR. DIA--RTP-2 COMP--SPL
C240331 1BC011C18

UNIT SPECIFICATIONS

WIRING DIAGRAM FOR 12.5TR, 15TR, 20TR & 25TR UNITS



Authorised Distributors



Approvals*



علامة الجودة الإماراتية
Emirates Quality Mark



IEC System for Conformity Testing & Certification of Electro-technical
Equipment and Components under CB Scheme



AWAL GULF

MANUFACTURING Co. B.S.C. (C)

Post Box 15919, Manama, Kingdom of Bahrain
Tel: 17 738333, Fax: 17 731541 / 17 731529
E-mail: export@awalgulf.com.bh Website: www.awalgulf.com

